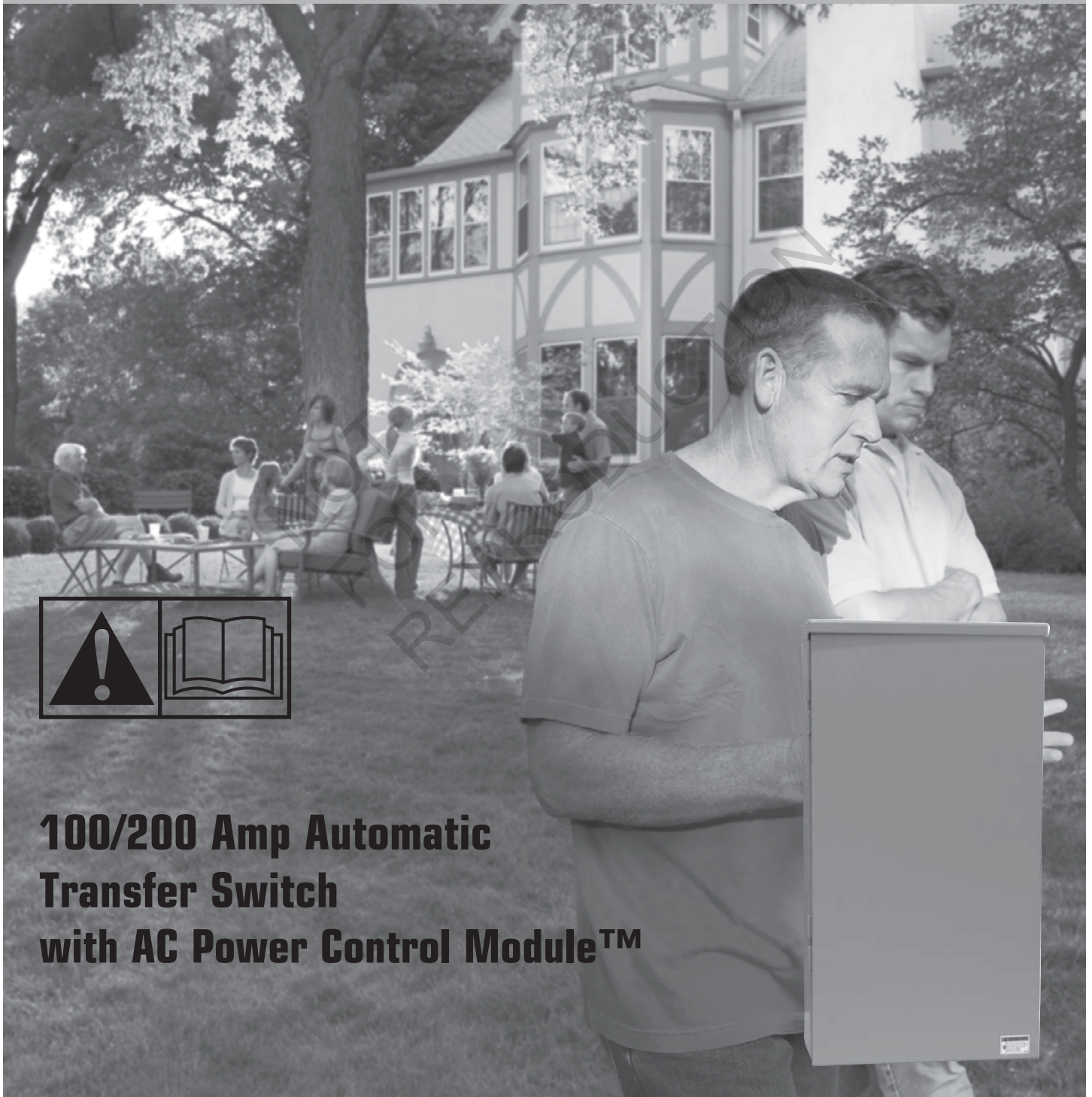




**Generator Systems**

## Installation & Operator's Manual



**100/200 Amp Automatic  
Transfer Switch  
with AC Power Control Module™**

**Thank you** for your purchase of this Briggs & Stratton® Power Products automatic transfer switch. This product is designed for use with specific home standby generators and may not function with generators produced by other manufacturers. Seek a qualified electrical professional to determine applicability of this equipment to generators manufactured by others. When operated and maintained according to the instructions in this manual, your power management system will provide many years of dependable service.

**This manual contains** safety information to make you aware of the hazards and risks associated with this system and how to avoid them. We have made every effort to provide for a safe, streamlined and cost-effective installation. As each installation is unique, it is impossible to know of and advise of all conceivable procedures and methods by which installation might be achieved. We do not know all possible hazards and/or the results of each possible method or procedure. It is important that you read and understand these instructions thoroughly before attempting to install or operate this equipment. **Save these instructions for future reference.**

**This transfer switch requires professional installation before use.** Refer to the *Installation* section of this manual for instructions on installation procedures. Only licensed electrical contractors should install transfer switches. Installations must strictly comply with all applicable federal, state and local codes, standards and regulations. Your installer should follow the instructions completely.

## Where to Find Us

You never have to look far to find Briggs & Stratton support and service for your system. Consult your Yellow Pages. There are many authorized service dealers who provide quality service. You can also contact Technical Service by phone at 800-743-4115 between 8:00 AM and 5:00 PM CT, or on the Internet at BRIGGSandSTRATTON.COM.

## For Future Reference

Please fill out the information below and keep with your receipt to assist in unit identification for future purchase issues.

Model Number	<input type="text"/>	<input type="text"/>	<input type="text"/>	<input type="text"/>	<input type="text"/>	<input type="text"/>			
Revision	<input type="text"/>	<input type="text"/>							
Serial Number	<input type="text"/>	<input type="text"/>	<input type="text"/>	<input type="text"/>	<input type="text"/>	<input type="text"/>	<input type="text"/>	<input type="text"/>	<input type="text"/>
Date Purchased	<input type="text"/>	<input type="text"/>	<input type="text"/>	<input type="text"/>	<input type="text"/>	<input type="text"/>			

# Table of Contents

- Important Safety Instructions . . . . . 4**
- Installation . . . . . 5**
  - Owner Orientation . . . . . 5
  - Installing Dealer/Contractor Responsibilities . . . . . 5
  - Mounting Guidelines . . . . . 6
  - Power Wiring Interconnections . . . . . 7
- Controls . . . . . 10**
- Operation . . . . . 11**
  - Testing the Automatic Transfer Switch . . . . . 11
- Maintenance . . . . . 12**
- Troubleshooting . . . . . 14**
  - Schematic Diagram . . . . . 15
  - Wiring Diagram . . . . . 16
- Warranty . . . . . 17**
- Product Specifications . . . . . 18**

NOT FOR REPRODUCTION

# Save These Instructions

## Important Safety Instructions

**SAVE THESE INSTRUCTIONS** - This manual contains important instructions that should be followed during installation and maintenance of the equipment.

### Safety Symbols and Meanings



Electrical Shock



Read Manual

▲ The safety alert symbol indicates a potential personal injury hazard. A signal word (DANGER, WARNING, or CAUTION) is used with the alert symbol to designate a degree or level of hazard seriousness. A safety symbol may be used to represent the type of hazard. The signal word NOTICE is used to address practices not related to personal injury.

▲ **DANGER** indicates a hazard which, if not avoided, *will* result in death or serious injury.

▲ **WARNING** indicates a hazard which, if not avoided, *could* result in death or serious injury.

▲ **CAUTION** indicates a hazard which, if not avoided, *could* result in minor or moderate injury.

**NOTICE** addresses practices not related to personal injury.

The manufacturer cannot possibly anticipate every possible circumstance that might involve a hazard. The warnings in this manual, and the tags and decals affixed to the unit are, therefore, not all-inclusive. If you use a procedure, work method or operating technique that the manufacturer does not specifically recommend, you must satisfy yourself that it is safe for you and others. You must also make sure that the procedure, work method or operating technique that you choose does not render the equipment unsafe.

▲ **WARNING** Only qualified electricians should attempt installation of this equipment, which must strictly comply with applicable codes, standards and regulations.

▲ **WARNING** Certain components in this product and related accessories contain chemicals known to the State of California to cause cancer, birth defects, or other reproductive harm. **Wash hands after handling.**

▲ **WARNING** Low voltage wire cannot be installed in same conduit as power voltage wiring.



- Failure to follow above warning could cause personal injury, damage and/or malfunction of equipment.

▲ **WARNING** Failure to properly ground equipment can result in electrocution.



- Do not touch bare wires.
- Do not use equipment with worn, frayed, bare or otherwise damaged wiring.
- Do not handle electrical cords while standing in water, while barefoot, or while hands or feet are wet.
- If you must work around a unit while it is operating, stand on an insulated dry surface to reduce shock hazard.
- Do not allow unqualified persons or children to operate or service equipment.
- In case of an accident caused by electrical shock, immediately shut down all sources of electrical power and contact local authorities. **Avoid direct contact with the victim.**

▲ **WARNING** Equipment contains high voltage that can cause personal injury or death.



- Despite the safe design of the system, operating this equipment imprudently, neglecting its maintenance or being careless can cause possible injury or death.

**NOTICE** Improper treatment of equipment can damage it and shorten its life.

- Use equipment only for intended uses.
- If you have questions about intended use, ask dealer or contact Briggs & Stratton Power Products.
- Do not expose equipment to excessive moisture, dust, dirt, or corrosive vapors.
- Remain alert at all times while working on this equipment. Never work on the equipment when you are physically or mentally fatigued.
- If connected devices overheat, turn them off and turn off their circuit breaker/fuse.



## Installation

We sincerely appreciate your patronage. For this reason, we have made significant effort to provide for a safe, streamlined and cost-effective installation. Because each installation is unique, it is impossible to know of and advise the trade of all conceivable procedures and methods by which installation might be achieved. Neither could we know of possible hazards and/or the results of each method or procedure. For these reasons,

**Only current licensed electrical should attempt system installations. Installations must strictly comply with all applicable codes, industry standards and regulations.**

Your equipment is supplied with this combined "Installation and Operator's Manual". This is an important document and should be retained by the owner after the installation has been completed.

Every effort has been made to make sure that the information in this manual is both accurate and current. However, the manufacturer reserves the right to change, alter or otherwise improve the system at any time without prior notice.

### Home Owner Responsibilities

To help you make informed choices and communicate effectively with your installation contractor(s),

**Read and understand *Owner Orientation* before contracting or starting your equipment installation.**

To arrange for proper installation, contact the store at which you purchased your equipment, your dealer, or your utility power provider.

**The equipment warranty is VOID unless the system is installed by licensed electrical professionals.**

### Owner Orientation

The illustrations provided are for typical circumstances and are meant to familiarize you with the installation options available with your system.

Local codes, appearance, and distances are the factors that must be considered when negotiating with an installation professional. As the distance from the existing electrical service increases, compensation in wiring materials must be allowed for. This is necessary to comply with local codes and overcome electrical voltage drops.

**These factors will have a direct effect on the overall price of your equipment installation.**

Your installer must check local codes AND obtain permits before installing the system.

- Read and follow the instructions given in this manual.
- Follow a regular schedule in caring for and using your equipment, as specified in this manual.

### Installing Dealer/Contractor Responsibilities

- Read and observe the safety rules.
- Read and follow the instructions given in this manual.
- The installer may need to provide appropriate rated contactors based on loads to be controlled.
- Check federal, state and local codes and authority having jurisdiction, for questions on installation.
- Ensure generator is not overloaded with selected loads.

If you need more information about the transfer switch, call 800-743-4115, between 8:00 AM and 5:00 PM CT.

### Equipment Description

The transfer switch is designed to transfer the selected loads found in normal residential installations when used with the supervisory contacts provided. The load is connected either to utility power (normal) or home standby power (generator). The transfer switch monitors utility and generator voltages and will automatically connect to the appropriate source of power.

These switches make it easy for a licensed electrician to complete a home standby installation. Service conduit and conductors can be wired directly from the watt-hour meter to the transfer switch. A separate disconnect and associated wiring is not required when installed per applicable federal, state and local codes, standards and regulations.

Major components of the transfer switch are a 2 pole utility disconnect circuit breaker, a 2 pole generator disconnect circuit breaker, a 2 pole double throw transfer switch, control circuit board, fused utility terminals and interconnecting wiring. The control board also has two inputs for current transformers that sense generator current. These components are housed in a NEMA 3R enclosure that is suitable for both indoor and outdoor installations.

The transfer switch is solenoid-operated from utility or generator inputs and contain suitable mechanical and electrical interlock switches to eliminate the possibility of connecting the utility service to the generator output. It has ratings capable of switching full utility power into the residence. In addition, a manual override lever is provided for the transfer function.

The control board has active circuits sensing utility and generator voltages. It creates a signal for generator start-up, switch transfer and retransfer when utility is restored. The control board also contains red and green LED's indicating the power sources available and two relay operated contacts that provide supervisory control of external loads.

## Delivery Inspection

After opening the carton, carefully inspect the transfer switch components for any damage that may have occurred during shipment.

If loss or damage is noted at time of delivery, have the person(s) making delivery note all damage on the freight bill and affix his signature under the consignor's memo of loss or damage. If loss or damage is noted after delivery, contact the carrier for claim procedures. Missing or damaged parts are not warranted.

## Shipment contents

- Automatic transfer switch (1)
- Installation and operator's manual (1)
- Current transformers (2)

## To be supplied by installer:

- Connecting wire and conduit
- Various specialty tools/equipment

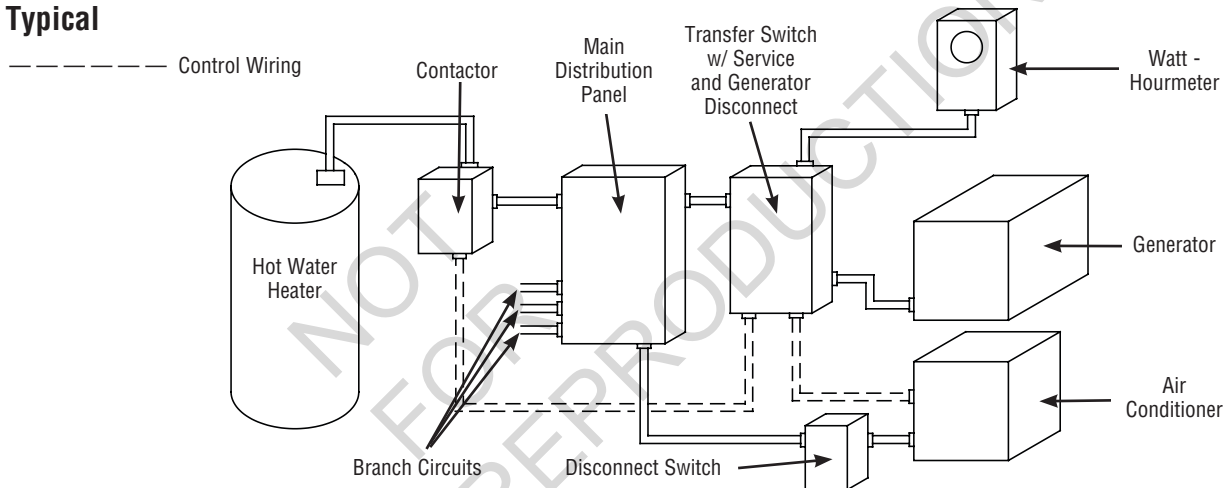
## Mounting Guidelines

The system circuitry is enclosed in a NEMA Type 3R enclosure suitable for indoor/outdoor use. Guidelines for mounting the enclosure include:

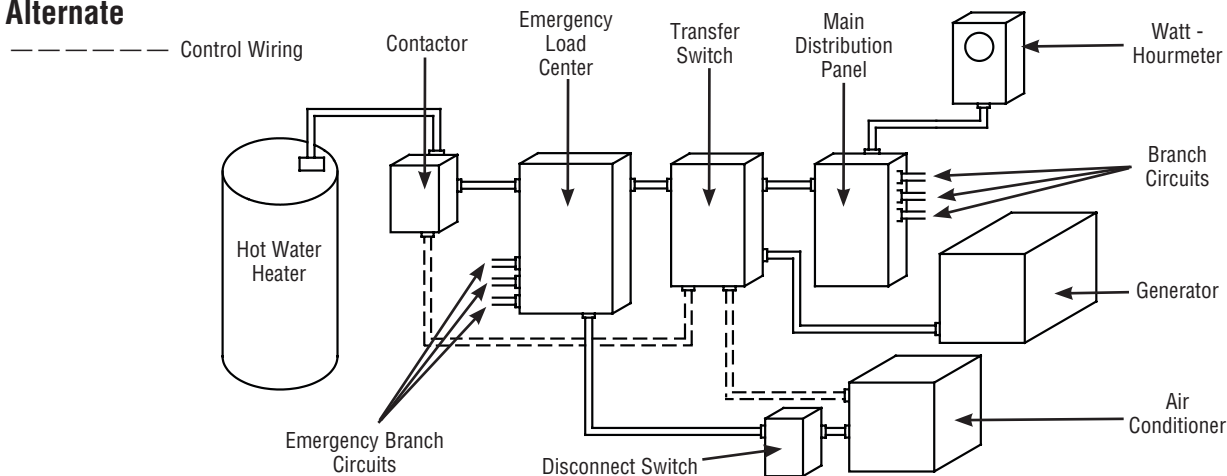
- Install enclosure on a firm, sturdy supporting structure.
- The enclosure must be installed with minimum NEMA 3R hardware for conduit connections.
- To prevent switch contact distortion, level and plumb the enclosure. This can be done by placing washers between the enclosure and the mounting surface.
- NEVER install the switch where any corrosive substance might drip onto the enclosure.
- Protect the switch at all times against excessive moisture, dust, dirt, lint, construction grit and corrosive vapors.

Typical automatic transfer switch installations are depicted below. It is best if the transfer switch is mounted near the utility meter, either inside or outside. Discuss layout suggestions/ changes with the owner before beginning the system installation process.

## Typical



## Alternate



## Power Wiring Interconnections

All wiring must be the proper size, properly supported and protected by conduit. All wiring should be done per applicable federal, state and local codes, standards and regulations. Obey wire type and torque specifications printed on the terminal blocks and neutral/ground connector.

**⚠ WARNING** Low voltage wire cannot be installed in same conduit as power voltage wiring.



- Failure to follow above warning could cause personal injury, damage and/or malfunction of equipment.

Complete the following connections between the transfer switch, main distribution panel, utility power and generator. Use installer-supplied 300VAC or greater wire that complies with Table 310.16 in the National Electric Code. Apply the necessary correction factors and wire size calculations.

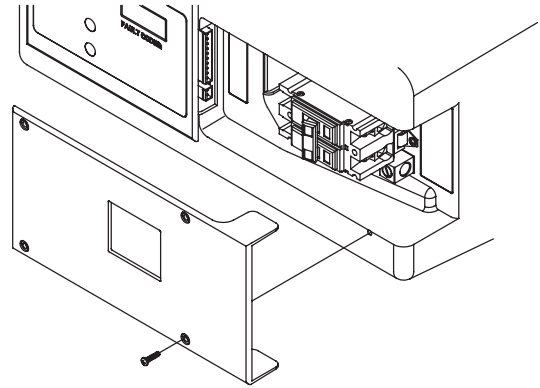
**NOTICE** Improper installation can cause damage to the circuit boards and shorten their life. Installing circuit boards in live circuits will damage the board and is not covered by warranty. ALWAYS disconnect ALL sources of power prior to servicing.

- Remove all power prior to installing this equipment. Failure to do so could cause internal damage to the board when making electrical connections.
  - Turn generator to **OFF** position.
  - Turn off utility power to the standby generator and transfer switch.
1. Set generator's circuit breaker to **OFF** (open) position.
  2. Set generator's system switch to **OFF** position and remove 15 Amp fuse from system control panel.
  3. Turn off utility power to the standby generator and transfer switch.

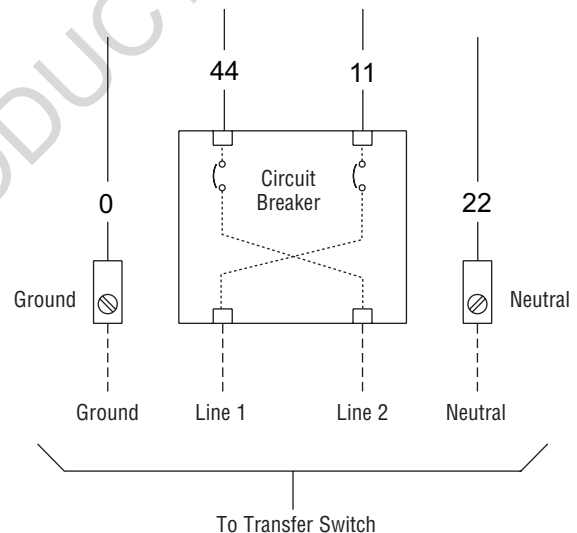
**⚠ WARNING** Battery posts, terminals and related accessories contain lead and lead compounds, chemicals known to the State of California to cause cancer and reproductive harm. **Wash hands after handling.**

4. Connect utility service to transfer switch's utility disconnect circuit breaker terminals marked "UTILITY CONNECTION".
5. Connect utility service neutral to transfer switch neutral terminal.
6. Connect main distribution panel feeder conductors to transfer switch terminals marked "LOAD CONNECTION".
7. Connect main distribution panel neutral conductor to transfer switch neutral terminal.
8. Connect main distribution panel ground conductor to transfer switch "GND" terminal.

Assure grounding electrode conductor is connected and bonded per applicable federal, state and local codes, standards and regulations.



9. Connect copper feeder conductors from transfer switch breaker "GENERATOR CONNECTION" terminals to generator circuit breaker LINE1 and LINE2 terminals. Each conductor must pass through hole of current transformer before making connection.
10. Plug current transformer leads into "CT1" and "CT2" terminals on transfer switch control board.
11. Connect copper conductor from transfer switch neutral terminal to generator NEUTRAL terminal. **Observe generator control panel labeling for terminal identification.**

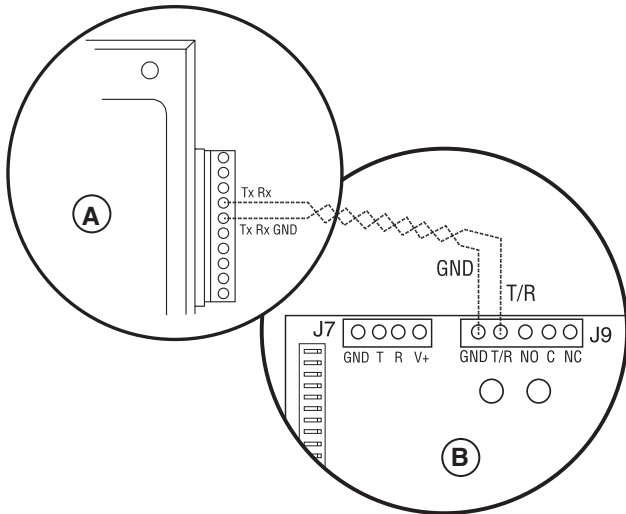


12. Connect copper conductor from transfer switch "GND" terminal to generator control panel "GROUND" terminal.

Assure generator equipment grounding conductor is connected per applicable federal, state and local codes, standards and regulations.

13. Connect the transfer switch "UTILITY 240 VAC" terminals to generator's "240 VAC" terminals using installer supplied 300VAC or greater copper wire, minimum #14 AWG conductors via two-pole connector supplied with generator.

- Connect "T/R" and "GND" terminals on transfer switch control board (B) to the generator's control panel (A) "TxRx" and "TxRx GND" terminals using #18 AWG twisted pair copper conductors, no greater than 200 ft in length, 300 volt 75°C-90°C via ten-pole connector supplied with generator.



- Tighten all wire connections/fasteners to proper torque. See label inside transfer switch enclosure for proper torque values.

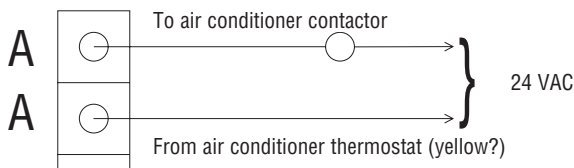
### Supervisory Control Wiring

An air conditioner can be used with the supervisory contacts on either terminals A-A or B-B. Terminals A-A can only be used with supervisory control. Large loads can only be used with contactor control on terminals B-B. Examples of each system are described below.

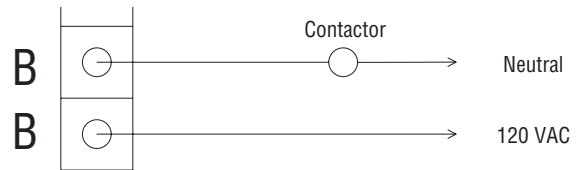
- The terminal strip on the transfer switch control board has four connections for customer use. There are two sets of "Normally Closed" contacts available. They will be activated when generator power is required. These can be used for supervisory control of large connected loads on generator. Loads will be allowed to operate if there is enough generator power available.

For installer convenience, there are two wireways provided to help keep supervisory load wires organized.

- Terminals "A-A" on transfer switch control board are rated for 24VAC. Connect these contacts in series between air conditioner thermostat and air conditioner contactor.



- Terminals "B-B" on transfer switch control board are rated for 1 Amp 125 VAC. When connected with an installer supplied contactor, it can be used to control a large load, such as an electric hot water heater. Contacts are connected in series with the contactor control circuit.

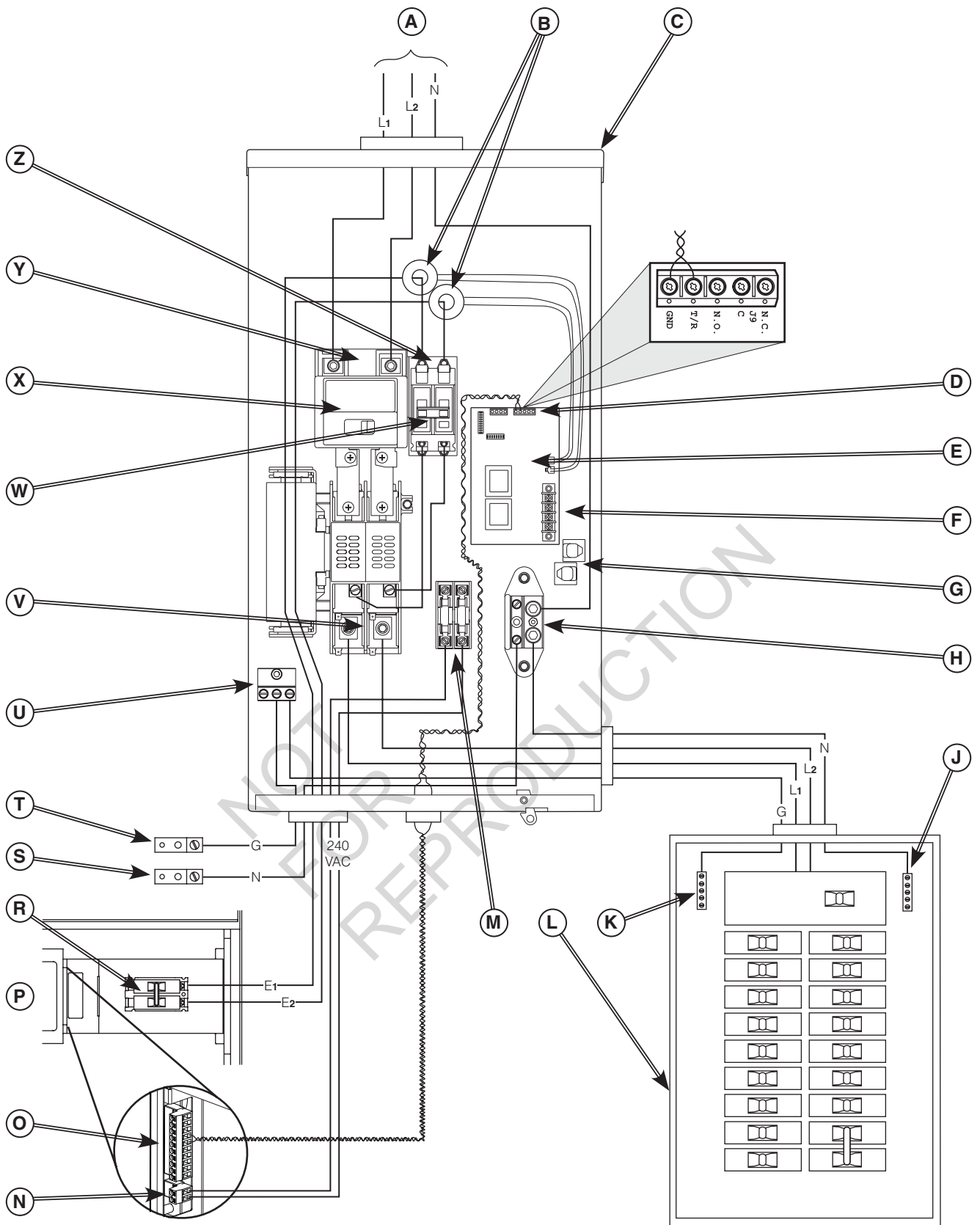


- Tighten all wire connections/fasteners to proper torque. See label inside transfer switch enclosure for proper torque values.

The illustration on the following page shows a typical completed installation. Your actual layout will vary. Illustration callouts are:

- A - From utility watt-hour meter
- B - Current transformers
- C - Transfer switch
- D - T/R and GND to Generator
- E - Transfer switch control board
- F - Supervisory contacts
- G - Wireways
- H - Neutral terminal
- J - Neutral bus
- K - Ground bus
- L - Main distribution panel
- M - UTILITY 240VAC to Generator
- N - Two-pole connector
- O - Ten-pole connector
- P - Generator
- R - Generator circuit breaker
- S - Generator Neutral terminal
- T - Generator Ground terminal
- U - Transfer switch ground terminal
- V - Load connection
- W - Generator disconnect circuit breaker
- X - Utility disconnect circuit breaker
- Y - Utility connection
- Z - Generator connection

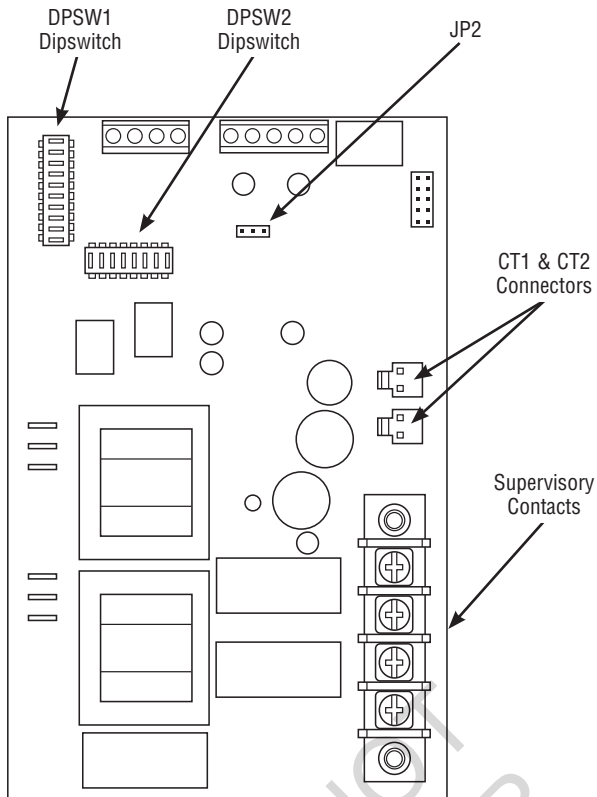




## System Setup

You must perform the following before operating the system:

- If generator is installed in an area regularly subjected to temperatures below 40°F (4°C), select a 50 second warm up time by moving jumper JP2 installed on transfer switch control board from '20' position to '50' position.



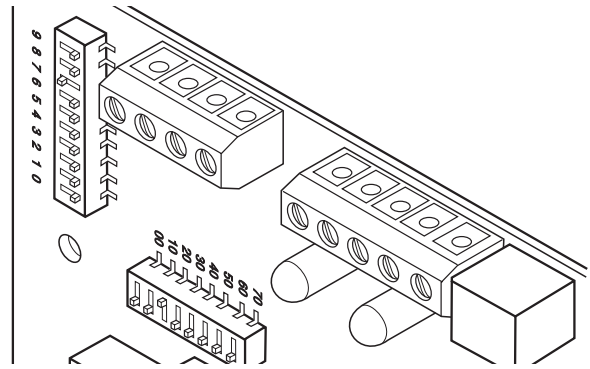
- Set the DPSW1 and DPSW2 dipswitches on the transfer switch control board to match the KW rating of the home standby generator, as described in *Setting Dipswitches*.

### Setting Dipswitches

Dipswitches are used to adjust control board operation based on generator capacity. DPSW1 and DPSW2 switches are set to correspond to total system kW rating. Dipswitch DPSW1 has units of 1,000 watts; Dipswitch DPSW2 has units of 10,000 watts.

**NOTICE** Use extreme caution when setting dipswitches or damage to control board will result.

- Use a pencil or small piece of plastic to set the dipswitch.
- NEVER use a screwdriver or any type of metal object to set dipswitches.



The "On" position for the dipswitches is the switch number ON THE TRANSFER SWITCH CONTROL BOARD, not on the switch. For example, for a 27,000 watt generator, set DPSW2 dipswitch 20 to "On" position. Set DPSW1 dipswitch 7 to "On" position. 20,000 plus 7000 equals 27,000 watts. **Set only one switch to "On" position on DPSW1 and DPSW2.**

### System Test

With the generator system switch in **AUTO**, turn the utility disconnect circuit breaker feeding the transfer switch to the OFF position. After a few minutes the generator will start and the transfer switch will transfer to generator power.

To return to utility power, turn the utility disconnect circuit breaker feeding the transfer switch to the ON position.

## Controls

Other than a Manual Override lever, there are no operator controls because this is an automatic transfer switch. The manual override is to be used only by licensed professionals. Information on handle use can be obtained by calling Technical Service at 800-743-4115.

## Operation

To select automatic transfer operation, do the following:

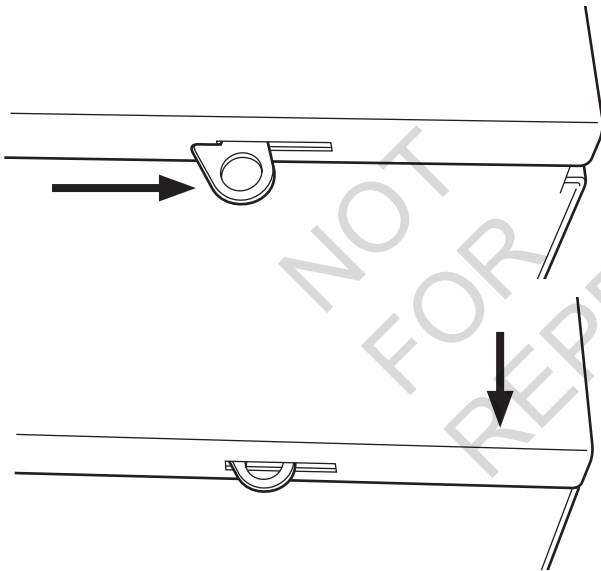
1. In transfer switch, set utility disconnect circuit breaker to “**ON**” position.
2. In transfer switch, set generator disconnect circuit breaker to “**ON**” position.
3. Install 15 Amp fuse in generator’s control panel.
4. Set generator’s circuit breaker to “**ON**” position.
5. Set generator’s system switch to “**AUTO**” position.

The system will now be in automatic operation mode.

When the generator is providing power to the transfer switch, the transfer switch control board is constantly monitoring generator power. If the air conditioner is called to run, and there is sufficient generator power available, the controller will close contacts “A-A” to air conditioner contactor. Contacts “B B” will open before contacts A-A close. If loads are too great for the generator, contacts A-A and/or B-B will open. When air conditioning is not needed, A-A will open. If enough power is available, B-B will close.

## Enclosure Door

To open door, press the spring-load door lock to the right and pull down on the door.



To close and latch door, push door closed against enclosure. While in this position, push door upwards. This will cause spring-load door lock to engage and latch door in place. Enclosure door **MUST** be closed and latched at all times except when system is being serviced.

## Testing the Automatic Transfer Switch

Turn the utility disconnect circuit breaker feeding the transfer switch contactor to the “OFF” position. The system’s automatic sequence will initiate. To return to utility power, turn the utility disconnect circuit breaker to the “ON” position.

### Utility Fail

The generator senses when utility voltage is below 70 percent of nominal. Engine start sequence is initiated after 6 second time delay.

### Engine Warm-Up

Time delay to allow for engine warm-up before transfer. Use jumper on transfer switch control board to select delay of 20 seconds or 50 seconds.

### Transfer

Transfer from utility to generator supply occurs after voltage is above set levels. Minimum engine run time is 5 minutes after transfer.

### Utility Pickup

Voltage pickup level is 80 percent of nominal voltage.

### Retransfer

Retransfer from generator to utility power is approximately 10 seconds after utility voltage supply is above pickup level and minimum run time is completed.

### Engine Cool Down

Engine will run for 60 seconds after retransfer.

## Maintenance

The transfer switch is designed to be maintenance free under normal usage. However, inspection and maintenance checks should be made on a regular basis. Maintenance will consist mainly of keeping the transfer switch clean.

Visual inspections should be done at least once a month. Access to transfer switch must not be obstructed. Keep 3 feet (92 cm) clearance around transfer switch. Check for an accumulation of dirt, moisture and/or corrosion on and around the enclosure, loose parts/hardware, cracks and/or discoloration to insulation, and damaged or discolored components.

Exercise the transfer switch at least once every three months as described in *Testing the Automatic Transfer Switch* unless a power outage occurs and home generator system has gone through an automatic sequence. Allow generator to run for at least 30 minutes.

Contact a licensed electrical professional to inspect and clean the inside of the enclosure and other components of your home generator system at least once a year.

## When Calling for Assistance

You must have the Model Number and Serial Number from the unit ID label at hand if it is necessary to contact a local service center regarding service or repair of this unit. Obtain this information from the unit ID label located on or inside the enclosure.

To contact Briggs & Stratton call 800-743-4115, between 8:00 AM and 5:00 PM CT.

## Installation Inspection

Before placing the system into service, inspect the entire installation carefully.

Complete the "Installation Checklist" supplied with the generator as you make the inspection. Ensure all items have been filled-in and all signatures have been obtained. Instruct the owner to mail the white copy to:

Warranty Registration  
P. O. Box 239  
Jefferson, WI 53549

## Notes

NOT  
FOR  
REPRODUCTION

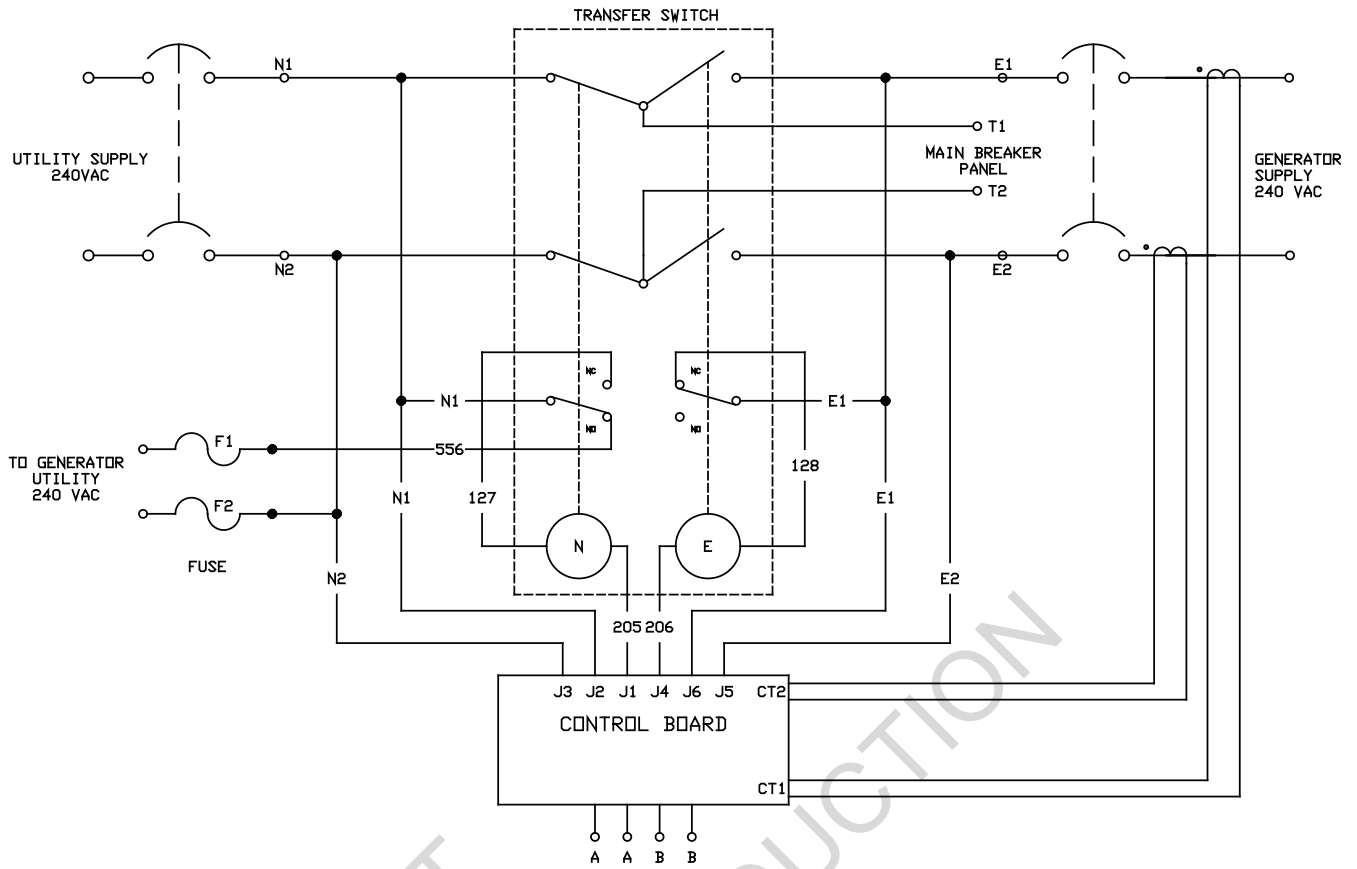


# Troubleshooting

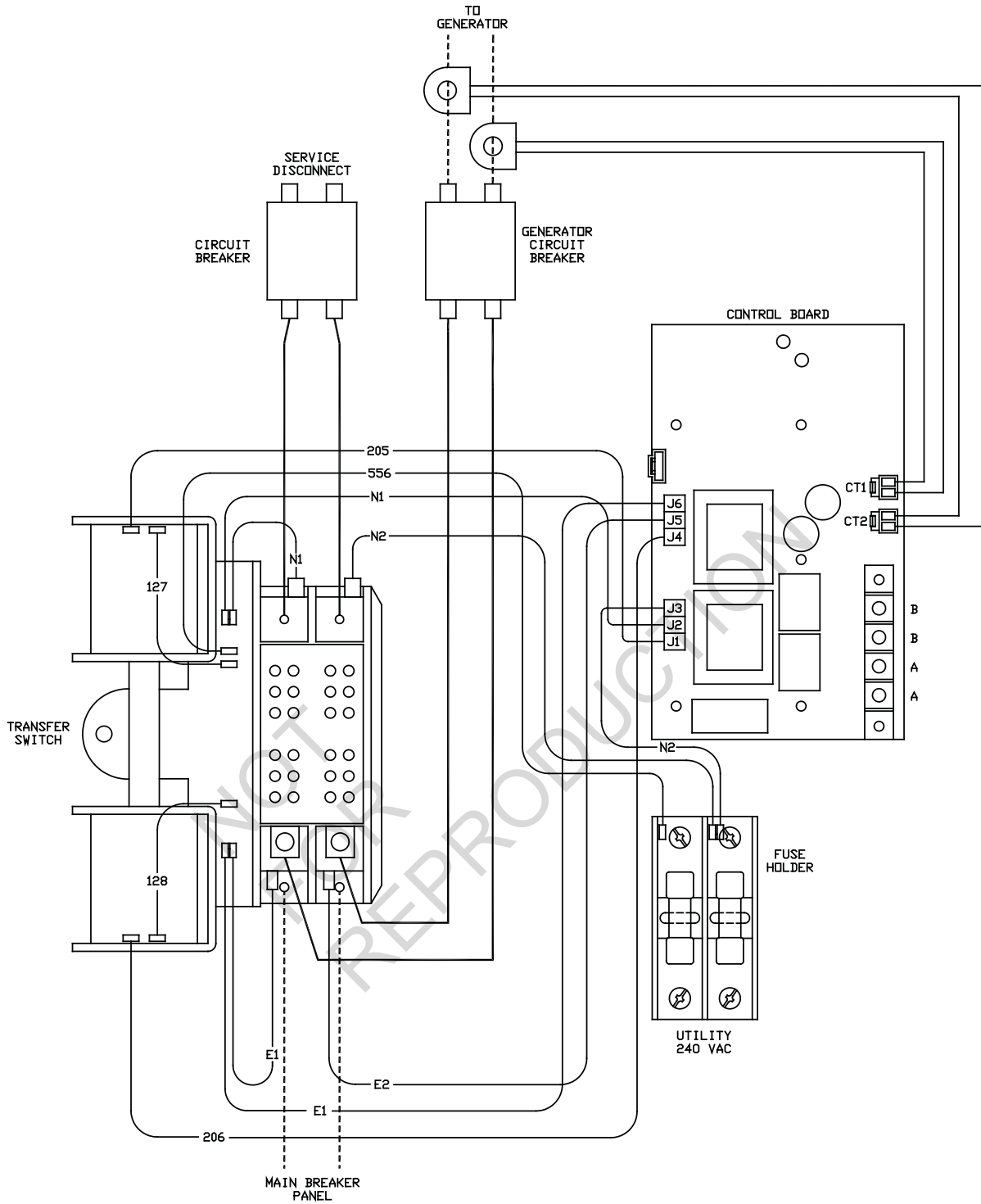
<b>Problem</b>	<b>Cause</b>	<b>Correction</b>
<b>Automatic transfer switch does not transfer to generator</b>	<ol style="list-style-type: none"> <li>1. Generator breaker open.</li> <li>2. Generator voltage not acceptable.</li> <li>3. Generator disconnect circuit breaker open in transfer switch.</li> </ol>	<ol style="list-style-type: none"> <li>1. Reset generator circuit breaker.</li> <li>2. Refer to generator manual.</li> <li>3. Reset generator disconnect circuit breaker in transfer switch.</li> </ol>
<b>Automatic transfer switch does not transfer to utility</b>	<ol style="list-style-type: none"> <li>1. Utility disconnect circuit breaker open in transfer switch.</li> <li>2. Utility voltage not acceptable.</li> </ol>	<ol style="list-style-type: none"> <li>1. Reset utility disconnect circuit breaker in transfer switch.</li> <li>2. Wait for utility voltage to return to normal.</li> </ol>
<b>Generator is still running after switch transfers to utility power</b>	Engine cool down period.	Engine should stop after 1 minute.
<b>Generator or supervised loads (air conditioner, etc.) are operating improperly when generator is supplying power</b>	<ol style="list-style-type: none"> <li>1. A-A or B-B contacts not operating correctly.</li> <li>2. Too much load on generator.</li> <li>3. Current transformer not connected.</li> <li>4. Broken current transformer.</li> </ol>	<ol style="list-style-type: none"> <li>1. Check A-A or B-B contacts for proper operation and/or check control wiring to external load.</li> <li>2. Decrease load to generator.</li> <li>3. Plug CT connectors into control module.</li> <li>4. Contact local authorized service center.</li> </ol>
<b>Generator is still running after utility power is restored</b>	<ol style="list-style-type: none"> <li>1. Minimum engine run time has not elapsed.</li> <li>2. Fuse(s) in transfer switch is defective.</li> </ol>	<ol style="list-style-type: none"> <li>1. Wait five minutes for transfer switch to retransfer to utility power.</li> <li>2. Check fuse(s) and replace if necessary.</li> </ol>

NOT FOR REPRODUCTION

# Schematic Diagram



# Wiring Diagram



Dashed lines show customer (field) connections

## BRIGGS & STRATTON POWER PRODUCTS GROUP, LLC TRANSFER SWITCH OWNER WARRANTY POLICY

Effective November 1, 2005 replaces all undated Warranties and all Warranties dated before November 1, 2005

### LIMITED WARRANTY

Briggs & Stratton Power Products Group, LLC will repair or replace, free of charge, any part(s) of the equipment that is defective in material or workmanship or both. Transportation charges on product submitted for repair or replacement under this warranty must be borne by purchaser. This warranty is effective for the time periods and subject to the conditions stated below. For warranty service, find the nearest Authorized Service Dealer in our dealer locator map at BRIGGSandSTRATTON.COM.

THERE IS NO OTHER EXPRESS WARRANTY. IMPLIED WARRANTIES, INCLUDING THOSE OF MERCHANTABILITY AND FITNESS FOR A PARTICULAR PURPOSE, ARE LIMITED TO ONE YEAR FROM PURCHASE, OR TO THE EXTENT PERMITTED BY LAW. ANY AND ALL IMPLIED WARRANTIES ARE EXCLUDED. LIABILITY FOR INCIDENTAL OR CONSEQUENTIAL DAMAGES ARE EXCLUDED TO THE EXTENT EXCLUSION IS PERMITTED BY LAW. Some states or countries do not allow limitations on how long an implied warranty lasts, and some states or countries do not allow the exclusion or limitation of incidental or consequential damages, so the above limitation and exclusion may not apply to you. This warranty gives you specific legal rights and you may also have other rights which vary from state to state or country to country.

### WARRANTY PERIOD

Consumer Use	3 years
Commercial Use	None

The warranty period begins on the date of purchase by the first retail consumer or commercial end user, and continues for the period of time stated in the table above. "Consumer use" means personal residential household use by a retail consumer. "Commercial use" means all other uses, including use for commercial, income producing or rental purposes. Once equipment has experienced commercial use, it shall thereafter be considered as commercial use for purposes of this warranty. Equipment used for prime power in place of utility are not applicable to this warranty.

NO WARRANTY REGISTRATION IS NECESSARY TO OBTAIN WARRANTY ON BRIGGS & STRATTON PRODUCTS. SAVE YOUR PROOF OF PURCHASE RECEIPT. IF YOU DO NOT PROVIDE PROOF OF THE INITIAL PURCHASE DATE AT THE TIME WARRANTY SERVICE IS REQUESTED, THE MANUFACTURING DATE OF THE PRODUCT WILL BE USED TO DETERMINE THE WARRANTY PERIOD.

### ABOUT YOUR WARRANTY

We welcome warranty repair and apologize to you for being inconvenienced. Any Authorized Service Dealer may perform warranty repairs. Most warranty repairs are handled routinely, but sometimes requests for warranty service may not be appropriate. For example, warranty service would not apply if equipment damage occurred because of misuse, lack of routine maintenance, shipping, handling, warehousing or improper installation. Similarly, the warranty is void if the manufacturing date or the serial number on the equipment has been removed or the equipment has been altered or modified. During the warranty period, the Authorized Service Dealer, at its option, will repair or replace any part that, upon examination, is found to be defective under normal use and service. This warranty will not cover the following repairs and equipment:

- **Normal Wear:** Outdoor Power Equipment, like all mechanical devices, needs periodic parts and service to perform well. This warranty does not cover repair when normal use has exhausted the life of a part or the equipment.
- **Installation and Maintenance:** This warranty does not apply to equipment or parts that have been subjected to improper or unauthorized installation or alteration and modification, misuse, negligence, accident, overloading, improper maintenance, repair or storage so as, in our judgment, to adversely affect its performance and reliability. This warranty also does not cover normal maintenance such as adjustments, cleaning and fuse replacement.
- **Other Exclusions:** This warranty excludes wear items or damage or malfunctions resulting from accidents, abuse, modifications, alterations, or improper servicing. Accessory parts are excluded from the product warranty. This warranty excludes failures due to acts of God and other force majeure events beyond the manufacturers control. Also excluded is used, reconditioned, and demonstration equipment. 198180E, Rev. C, 12/31/2006

BRIGGS & STRATTON POWER PRODUCTS GROUP, LLC  
JEFFERSON, WI, USA

# Automatic Transfer Switch

## Product Specifications

### Model 071036

Rated Maximum Load Current\*  
(at 25°C/77°F) ..... 200 Amps  
Rated AC Voltage ..... 250 Volts  
Poles ..... 2  
Frequency ..... 60 Hz  
Fault Current Rating ..... 25,000 RMS Symmetrical Amperes  
Supervisory Contacts Rating:  
A-A Terminals ..... 24 Volt AC  
B-B Terminals ..... 1 Amp, 125 Volt AC, Pilot Duty  
Normal Operating Range .... -20°F (-28.8°C) to 104°F (40°C)  
Weight ..... 63 lbs. (28 kg)

### Model 071045

Rated Maximum Load Current\*  
(at 25°C/77°F) ..... 100 Amps  
Rated AC Voltage ..... 250 Volts  
Poles ..... 2  
Frequency ..... 60 Hz  
Fault Current Rating ..... 25,000 RMS Symmetrical Amperes  
Supervisory Contacts Rating:  
A-A Terminals ..... 24 Volt AC  
B-B Terminals ..... 1 Amp, 125 Volt AC, Pilot Duty  
Normal Operating Range .... -20°F (-28.8°C) to 104°F (40°C)  
Weight ..... 59 lbs (27 kg).

NOT FOR REPRODUCTION

\*This transfer switch is certified in accordance with UL (Underwriters Laboratories) 1008 (transfer switch equipment).

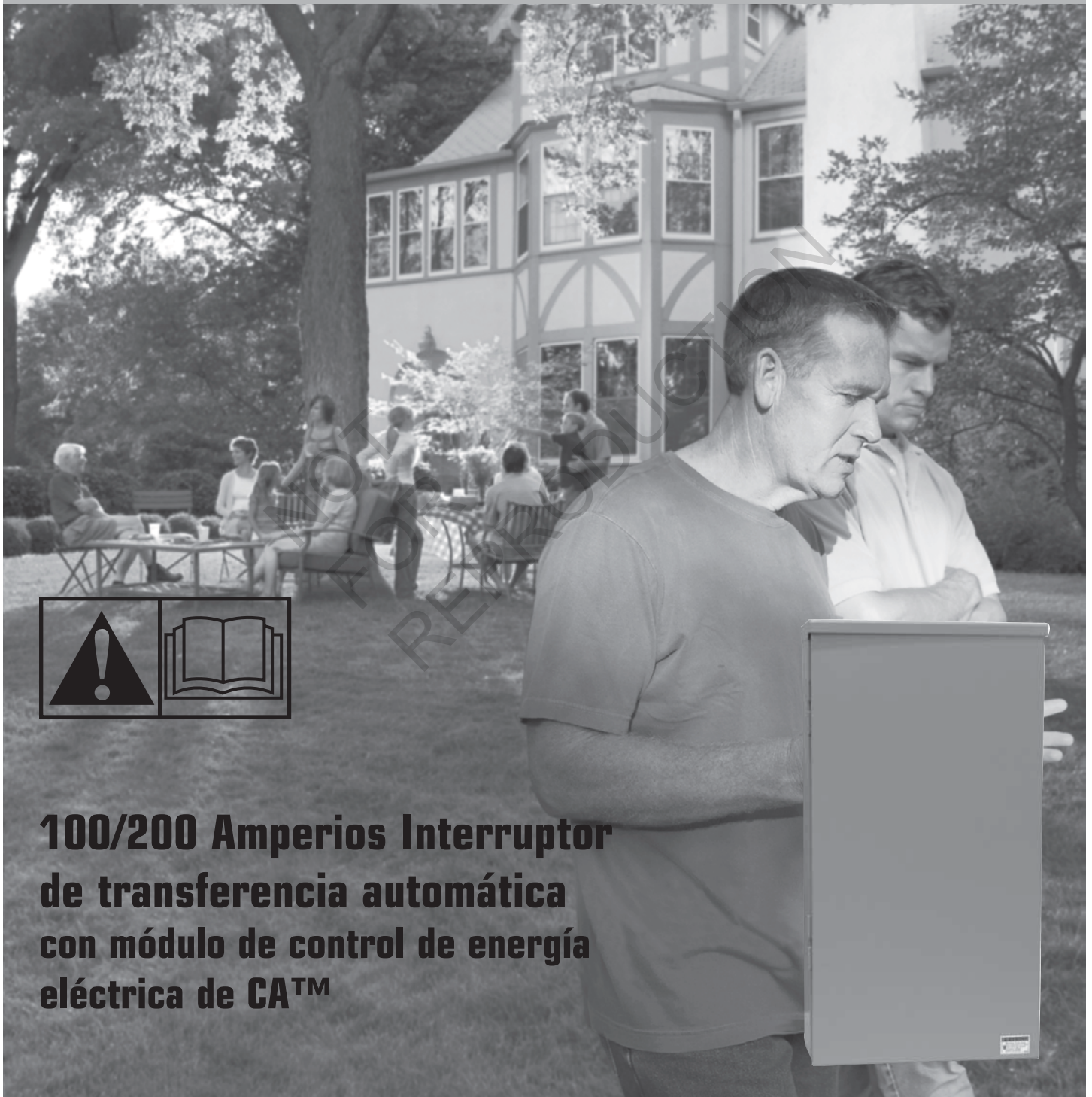
Briggs & Stratton Power Products Group, LLC  
900 N. Parkway  
Jefferson, Wisconsin, 53549 U.S.A.





**Generator Systems**

## Manual de instalación y del operario



**100/200 Amperios Interruptor  
de transferencia automática  
con módulo de control de energía  
eléctrica de CA™**

**Gracias** por comprar este conector automático de Briggs & Stratton® Power Products. Este producto está diseñado para utilizarse con generadores de reserva domésticos específicos y puede no funcionar con generadores producidos por otros fabricantes. Recorra a un electricista profesional cualificado para determinar la aplicabilidad de este equipo en generadores fabricados por terceros. Si se utiliza y mantiene de acuerdo con las instrucciones de este manual, su sistema le proporcionará muchos años de funcionamiento fiable.

**Este manual contiene** información de seguridad para que usted conozca los peligros y riesgos propios de este sistema y cómo evitarlos. Se ha realizado el máximo esfuerzo para que la instalación resulte segura, sencilla y económica. Debido a que cada instalación es única, es imposible conocer y recomendar todos los procedimientos y métodos posibles para efectuarla. No conocemos todos los riesgos y/o resultados posibles de cada método o procedimiento existente. Es importante que lea y comprenda perfectamente estas instrucciones antes de intentar instalar o utilizar este equipo. **Guarde estas instrucciones para futuras consultas.**

**Este el conector requiere instalación profesional antes de utilizarse.** Consulte las instrucciones sobre los procedimientos de instalación en la sección Instalación del presente manual. Los conector sólo deben ser instalados por electricistas con licencia. Las instalaciones deben cumplir estrictamente la totalidad de los códigos, estándares y regulaciones federales, estatales y locales vigentes. El instalador debe seguir las instrucciones detalladamente.

### Ubicación

Nunca debe ir demasiado lejos para encontrar el soporte y servicio de Briggs & Stratton para su sistema. Consulte las Páginas Amarillas. Existen múltiples distribuidores de servicio autorizados que ofrecen un servicio de calidad. También puede comunicarse con el Servicio técnico por teléfono al 800-743 4115 de 8:00 a. m. a 5:00 p. m. Hora del Centro, o a través de Internet en BRIGGSandSTRATTON.COM.

### Para futuras consultas

Llene la siguiente información y conserve su factura para facilitar la identificación de la unidad en caso de que surjan problemas relacionados con la compra en el futuro.

### Conector automático

Número de modelo

--	--	--	--	--	--	--	--	--	--

Revisión

--	--

Número de serie

--	--	--	--	--	--	--	--	--	--	--	--	--	--	--	--	--	--	--	--

Fecha de compra

--	--	--	--	--	--

# Tabla de contenido

<b>Instrucciones importantes de seguridad</b> .....	<b>4</b>
<b>Instalación</b> .....	<b>5</b>
Orientación al propietario .....	5
Responsabilidades del distribuidor / técnico instalador .....	5
Pautas de montaje .....	6
Interconexión de los cables de alimentación .....	7
<b>Controles</b> .....	<b>10</b>
<b>Funcionamiento</b> .....	<b>11</b>
Prueba del conector automático .....	11
<b>Mantenimiento</b> .....	<b>12</b>
<b>Resolución de problemas</b> .....	<b>14</b>
<b>Garantía</b> .....	<b>15</b>
<b>Especificaciones del producto</b> .....	<b>16</b>

NOT  
FOR  
REPRODUCTION

# Guarde estas instrucciones

## Instrucciones importantes de seguridad

**GUARDE ESTAS INSTRUCCIONES** - Este manual contiene instrucciones importantes que se deben seguir durante la instalación y el mantenimiento del equipo.

### Símbolos sobre la seguridad y significados



▲ El símbolo de alerta de seguridad indica un posible riesgo para su integridad física. Se utiliza una palabra de señalización (PELIGRO, ADVERTENCIA o ATENCIÓN) junto con el símbolo de alerta para designar un grado o nivel de gravedad de riesgo. Se puede utilizar un símbolo de seguridad para representar el tipo de riesgo. La palabra de señalización AVISO se utiliza para hacer referencia a una práctica no relacionada con una lesión física.

▲ **PELIGRO** indica un riesgo que, de no evitarse, *provocará* la muerte o lesiones de gravedad.

▲ **ADVERTENCIA** indica un riesgo que, de no evitarse, *podría provocar* la muerte o lesiones de gravedad.

▲ **ATENCIÓN** indica un riesgo que, de no evitarse, *podría provocar* lesiones leves o moderadas.

**AVISO** hace referencia a una práctica no relacionada con una lesión física.

El fabricante no puede prever toda circunstancia que conlleve un riesgo potencial. Por tanto, las advertencias de este manual, así como las etiquetas y calcomanías adheridas a la unidad, no incluyen todos los riesgos posibles. Si utiliza un procedimiento, método de trabajo o técnica de uso no recomendado específicamente por el fabricante, deberá asegurarse de que es seguro tanto para usted como para otras personas. También deberá asegurarse de que el procedimiento, método de trabajo o técnica de uso que elija no hace que el equipo sea inseguro.

▲ **ADVERTENCIA** La instalación de este equipo debe cumplir estrictamente la totalidad de los códigos, estándares y regulaciones vigentes, por lo que sólo debe ser llevada a cabo por un electricista cualificado.

▲ **ADVERTENCIA** Determinados componentes en este producto y los accesorios relacionados contienen sustancias químicas declaradas cancerígenas, causantes de malformaciones, y otros defectos congénitos por el Estado de California. **Lávese las manos después de manipular estos elementos.**

▲ **ADVERTENCIA** Los cables de baja tensión no se pueden instalar en el mismo conducto que los cables de suministro de energía.

- Si no se respeta esta indicación pueden producirse lesiones, daños y/o fallos de funcionamiento del equipo.

▲ **ADVERTENCIA** Una conexión a tierra defectuosa del equipo puede provocar la electrocución.

- No toque los cables pelados.
- No utilice el equipo con cables desgastados, deshilachados o deteriorados de cualquier otra forma.
- No manipule los cables eléctricos si se encuentra en una zona húmeda, está descalzo o tiene las manos o los pies mojados.
- Si tiene que trabajar junto a una unidad en funcionamiento, manténgase en una superficie aislada y seca para reducir el riesgo de descarga eléctrica.
- No permita que personas no cualificadas o niños utilicen o reparen el equipo.
- En caso de accidente provocado por una descarga eléctrica, desconecte inmediatamente todos los suministros de energía eléctrica y póngase en contacto con las autoridades locales. **Evite el contacto directo con la víctima.**

▲ **ADVERTENCIA** El equipo contiene alta tensión que puede provocar lesiones o la muerte.

- A pesar de la seguridad del diseño del sistema, si éste se utiliza con imprudencia, ignorando su mantenimiento o sin las debidas precauciones, se pueden producir lesiones o incluso la muerte.

**AVISO** Un tratamiento inadecuado del equipo puede estropearlo y acortar su vida útil.

- Utilice el equipo sólo para los usos previstos.
- En caso de dudas sobre su uso, diríjase al distribuidor o a Briggs & Stratton Power Products.
- No exponga el equipo a un exceso de humedad, polvo, suciedad o vapores corrosivos.
- Manténgase alerta en todo momento cuando utilice este equipo. Nunca lo utilice ni manipule en condiciones de fatiga física o mental.
- Si se calientan excesivamente los dispositivos conectados, apáguelos y abra sus interruptores o quite sus fusibles.



## Instalación

Realmente valoramos que nos haya elegido. Por este motivo, se ha realizado un esfuerzo importante para que la instalación resulte segura, sencilla y económica. Debido a que cada instalación es única, es imposible conocer y recomendar todos los procedimientos y métodos posibles para efectuarla. Tampoco conocemos todos los riesgos y/o resultados posibles de cada método o procedimiento. Por tanto, **la instalación del sistema sólo puede ser llevada a cabo por un electricista con licencia vigente. Las instalaciones deben cumplir estrictamente la totalidad de los códigos, estándares de la industria y regulaciones vigentes.**

Su equipo se suministra con este “Manual de instalación y del operario” combinado. Se trata de un documento importante que el propietario debe conservar después de haber terminado la instalación.

Se ha realizado el máximo esfuerzo para reunir en este manual la información más precisa y actualizada. No obstante, el fabricante se reserva el derecho de modificar, alterar o mejorar de cualquier otra forma el sistema en cualquier momento y sin previo aviso.

### Responsabilidades del propietario

Para tomar decisiones bien fundadas y comunicarse eficazmente con el técnico instalador,

**Lea y comprenda la sección *Orientación al propietario* antes de contratar o iniciar la instalación del equipo.**

Para solicitar la instalación, póngase en contacto con la tienda en la que adquirió el equipo, con su distribuidor o con la compañía eléctrica.

**La garantía del equipo quedará ANULADA a menos que electricistas profesionales con licencia instalen el sistema.**

### Orientación al propietario

Las ilustraciones incluidas corresponden a circunstancias habituales y tienen por objeto familiarizarle con las opciones de instalación del sistema.

La normativa local, la apariencia y las distancias son los aspectos que deberán tenerse en cuenta al negociar la instalación con un profesional. Al aumentar la distancia desde el servicio eléctrico, se deberá prever una compensación en cables y otros materiales necesarios para cumplir la normativa local vigente y evitar caídas de tensión eléctrica.

**Estos factores tendrán un efecto directo en el precio total de la instalación del equipo.**

El instalador deberá comprobar la normativa local Y obtener los permisos correspondientes antes de instalar el sistema.

- Lea y siga las instrucciones que se indican en este manual.
- Siga un plan regular de cuidado y uso del equipo, como se indica en este manual.

### Responsabilidades del distribuidor / técnico instalador

- Lea y respete las normas de seguridad.
- Lea y siga las instrucciones que se indican en este manual.
- Es posible que el instalador tenga que proporcionar contactores nominales adecuados con base en las cargas que van a controlarse.
- Consulte la normativa vigente en caso de dudas sobre la instalación.
- Asegúrese de que las cargas seleccionadas no sobrecargan el generador.

Si necesita más información sobre el conector, llame al 800-743-4115, de 08:00 a 17:00 CT.

### Descripción del equipo

El conector está diseñado para transferir las cargas seleccionadas de una instalación residencial normal al suministro del generador en caso de un fallo en el suministro de alimentación de la red pública. La carga se conecta al suministro de servicio general (normal) o al suministro doméstico de reserva (generador). El conector monitoriza las tensiones de la red pública y del generador y conecta automáticamente la carga a la fuente de alimentación apropiada.

Con estos interruptores, un electricista cualificado puede completar fácilmente una instalación doméstica de reserva. La unidad contiene un seccionador de servicio y un conector automático en una misma caja. El conducto y los conductores de servicio se pueden cablear directamente desde el contador hasta el conector. No es necesario instalar un seccionador distinto, con su correspondiente cableado, para cumplir toda la normativa vigente.

Los componentes principales del conector son un disyuntor seccionador de servicio bipolar, un interruptor bipolar de 2 posiciones de contacto, una tarjeta de circuito impreso del módulo de control, terminales con fusibles de detección de tensión de la red pública y cableado de interconexión. Las tarjetas de circuito impreso se encuentran en una caja tipo 3R según NEMA, que es adecuada para uso en interiores y a la intemperie.

El conector es accionado por un solenoide alimentado desde las entradas de la red pública o del generador y tiene interruptores de enclavamiento mecánicos y eléctricos, adecuados para eliminar la posibilidad de conectar la red pública a la salida del generador. Sus valores nominales son suficientes para conectar toda potencia de la red pública a la residencia. Para la función de transferencia hay una palanca de cancelación manual.

La tarjeta de circuito impreso del módulo de control tiene circuitos activos que detectan las tensiones de la red pública y del generador. Genera una señal para el arranque del generador, el conector, la retransferencia cuando se restablece la tensión en la red pública y los períodos de enfriamiento del generador. La tarjeta de control contiene



también luces rojas y verdes que indican las fuentes de alimentación disponibles y dos contactos accionados por relé que proporcionan el control de supervisión de cargas críticas externas.

### Inspección en el momento de la entrega

Después de abrir la caja de cartón, con cuidado inspeccione el contenido para detectar cualquier daño que pudiera haber ocurrido durante el envío.

Si detecta faltas o daños en el momento de la entrega, solicite a la persona que realiza la entrega que anote todos los daños en la nota de entrega y que la firme bajo el área de pérdidas y daños del remitente. Si se detectan faltas o daños después de la entrega, póngase en contacto con el transportista para solicitar información sobre el procedimiento de reclamación. La garantía no cubre las partes faltantes o dañadas.

### Contenido del paquete

- Conmutador de transferencia de energía automático (1)
- Manual de instalación y operativo (1)
- Transformadores de corriente (2)

### No incluye:

- Cable y conducto de conexión.
- Herramientas/equipos especiales diversos

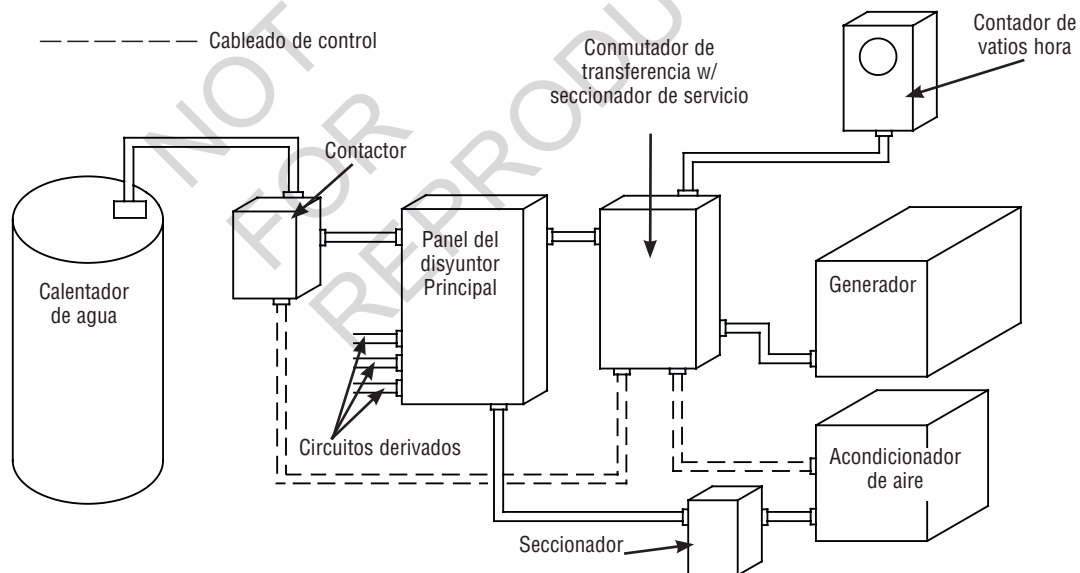
### Pautas de montaje

El conector automático está encerrado en una caja tipo 3R NEMA, que es adecuada para uso en interiores y a la intemperie. Las directrices para el montaje de conector automático incluyen:

- Instale el conmutador sobre una estructura de soporte firme y resistente.
- El interruptor se debe instalar con conexiones mínimas de conduit de fo de hardware de NEMA 3R.
- Para evitar distorsiones en el conmutador, nivele la unidad si es necesario. Puede hacerlo colocando arandelas entre el compartimiento del conmutador y la superficie de montaje.
- Nunca instale el conmutador en un lugar en el cual pueda producirse el goteo de alguna sustancia corrosiva en el compartimiento.
- Proteja permanentemente al conmutador contra humedad excesiva, polvo, suciedad, pelusas, arenilla para construcción y vapores corrosivos.

A continuación se ilustra la instalación habitual del conector automático. Lo mejor es montarlo cerca del contador de la compañía eléctrica en el interior o en el exterior. Antes de iniciar el proceso de instalación del sistema, analice los cambios y sugerencias de diagramación con el propietario de la unidad.

### Típico



## Interconexión de los cables de alimentación

Todos los cables deben ser de tamaño adecuado y estar bien sujetos y protegidos por el conducto. Todo el cableado debe realizarse de acuerdo con la totalidad de los códigos, estándares y regulaciones federales, estatales y locales vigentes. Siga las especificaciones del tipo de cables y par impresas en los bloques de terminales y el conector neutral/conexión a tierra.

**⚠ ADVERTENCIA** Los cables de baja tensión no se pueden instalar en el mismo conducto que los cables de suministro de energía.

- Si no se respeta esta indicación pueden producirse lesiones, daños y/o fallos de funcionamiento del equipo.

Haga las siguientes conexiones entre el conector, el panel de distribución principal, la red pública y el generador. Utilice el cable de 300V CA o más suministrado por el instalador, que cumple con la Tabla 310.16 del Código Nacional de Electricidad. Aplique los factores de solución y cálculos del tamaño del cable necesarios.

**AVISO** La instalación inadecuada puede dañar las tarjetas de circuito impreso y acortar su vida útil. La instalación de las tarjetas de circuito impreso en los circuitos activos daña la tarjeta y no se incluye en la cobertura de la garantía. SIEMPRE desconecte TODAS las fuentes de alimentación antes de dar mantenimiento.

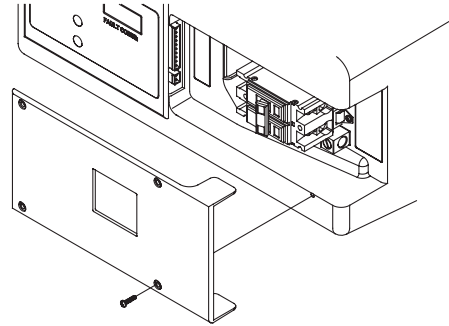
- Desconecte la corriente antes de instalar este equipo. Si no se respeta esta indicación, pueden producirse daños internos en la tarjeta cuando se hagan las conexiones eléctricas.
  - Sitúe el generador en la posición **OFF**.
  - Apague el suministro de la red pública del generador de reserva y el conector.
1. Ponga el interruptor del sistema del generador en la posición **OFF**.
  2. Ponga el disyuntor del generador en la posición **OFF** (abierto) y quite el fusible de 15 A del panel de control del sistema.
  3. Apague el suministro de la red pública del generador de reserva y el conector.

**⚠ ADVERTENCIA** Las patillas de las baterías, los terminales y los accesorios relacionados contienen plomo y compuestos de plomo - sustancias químicas declaradas cancerígenas y causantes de malformaciones congénitas por el Estado de California. **Lávese las manos después de manipular estos elementos.**

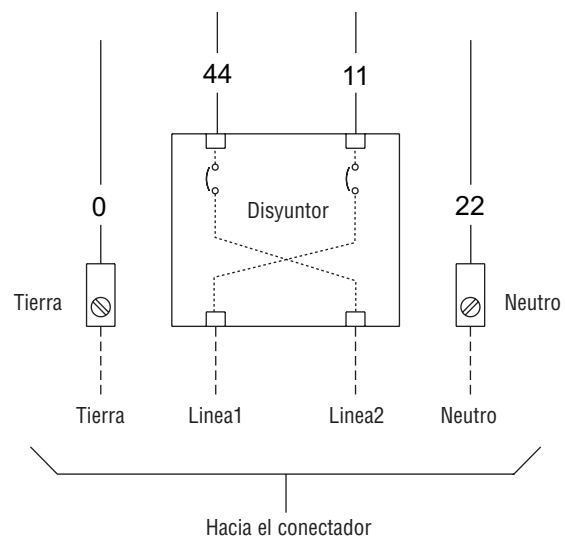
4. Conecte el servicio de la red pública al conector, y desconecte los terminales del disyuntor con la marca "UTILITY CONNECTION" (conexión de la red pública).
5. Conecte el neutro de la red pública al terminal neutro del conector.
6. Conecte los conductores del panel del disyuntor principal a los terminales del conector con la marca "LOAD CONNECTION" (conexión de la carga).

7. Conecte el conductor neutro del panel del disyuntor principal al terminal del conector con la marca "NEUTRAL" (neutro), si aplicable.
8. Conecte el conductor de conexión a tierra del panel del disyuntor principal al terminal "GND" (tierra) del conector.

Compruebe que el conductor de conexión a tierra del equipo generador está conectado conforme a la normativa vigente.

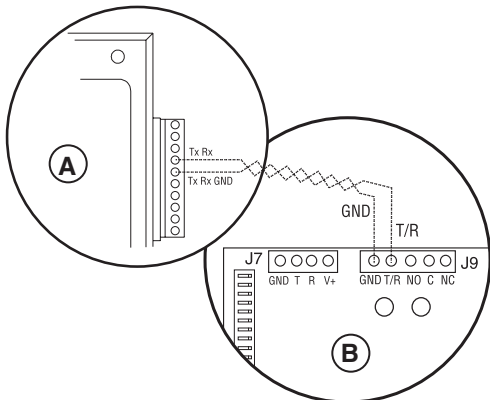


9. Conecte los conductores de cobre de los terminales "GENERATOR CONNECTION" (conexión del generador) del disyuntor del conector al disyuntor del generador del conector al terminal de LINE1 y LINE2 del generador. Cada conductor debe pasar por el orificio del transformador de corriente antes de realizarse la conexión.
10. Conecte los cables del transformador de corriente a los terminales "CT1" y "CT2" del módulo de control.
11. Conecte el conductor de cobre del terminal neutro del conector al terminal neutro del panel de control del generador. **Observe las etiquetas del panel de control del generador para identificar los terminales.**
12. Conecte el conductor de cobre del terminal "GND" (de tierra) del conector al terminal de tierra (GROUND) del panel de control del generador.



Compruebe que el conductor de conexión a tierra del equipo generador está conectado conforme a la normativa vigente.

- Conecte los terminales "UTILITY 240 VAC" del conector a los terminales "240 VAC" del generador con el cable de cobre de 300V CA o más suministrado por el instalador, mediante cables de 14 AWG como mínimo vía el conector de dos-polos suministrado el generador.
- Conecte los terminales "T/R" y "GND" en la tarjeta de control del conector (B) a los terminales "TxRx" y "TxRx GND" del panel de control del generador (A) con conductores de cobre de par torcido de 18 AWG, con una longitud máxima de 61 m (200 pies), de 300 V, 75 °C-90 °C, mediante el conector de diez polos suministrado el generador.



- Apriete de todas las conexiones de los cables y elementos de fijación al par adecuado. Consulte los valores de par correctos en la etiqueta dentro de la caja.

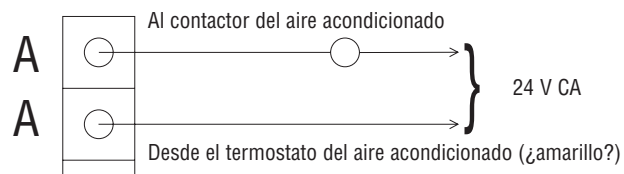
### Cableado de control de supervisión

Se puede utilizar un sistema de aire acondicionado con los contactos de supervisión en cualquiera de los terminales A-A o B-B. Los terminales A-A se pueden utilizar solamente con control de supervisión. Las cargas grandes se pueden usar solamente con control de contactor en los terminales B-B. A continuación se describen ejemplos de cada sistema.

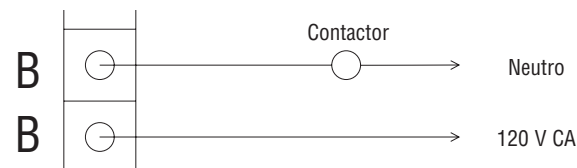
- La regleta de terminales de la tarjeta de control del conector incluye cuatro conexiones para uso del cliente. Hay dos conjuntos de contactos "Normalmente Cerrados" que se activarán cuando sea necesario utilizar la electricidad del generador. Se pueden utilizar para el control de supervisión de grandes cargas conectadas al generador. Ejemplo: acondicionador de aire, calentador de agua, etc. Las cargas podrán funcionar siempre que la potencia del generador sea suficiente.

Para comodidad del instalador, se incluyen dos conductos para cables que ayudan a mantener organizados los cables de carga de supervisión.

- El valor nominal de los terminales "A-A" de la tarjeta de control del conector es 24 V CA. Conecte estos contactos en serie entre el termostato del aire acondicionado y el contactor del aire acondicionado.



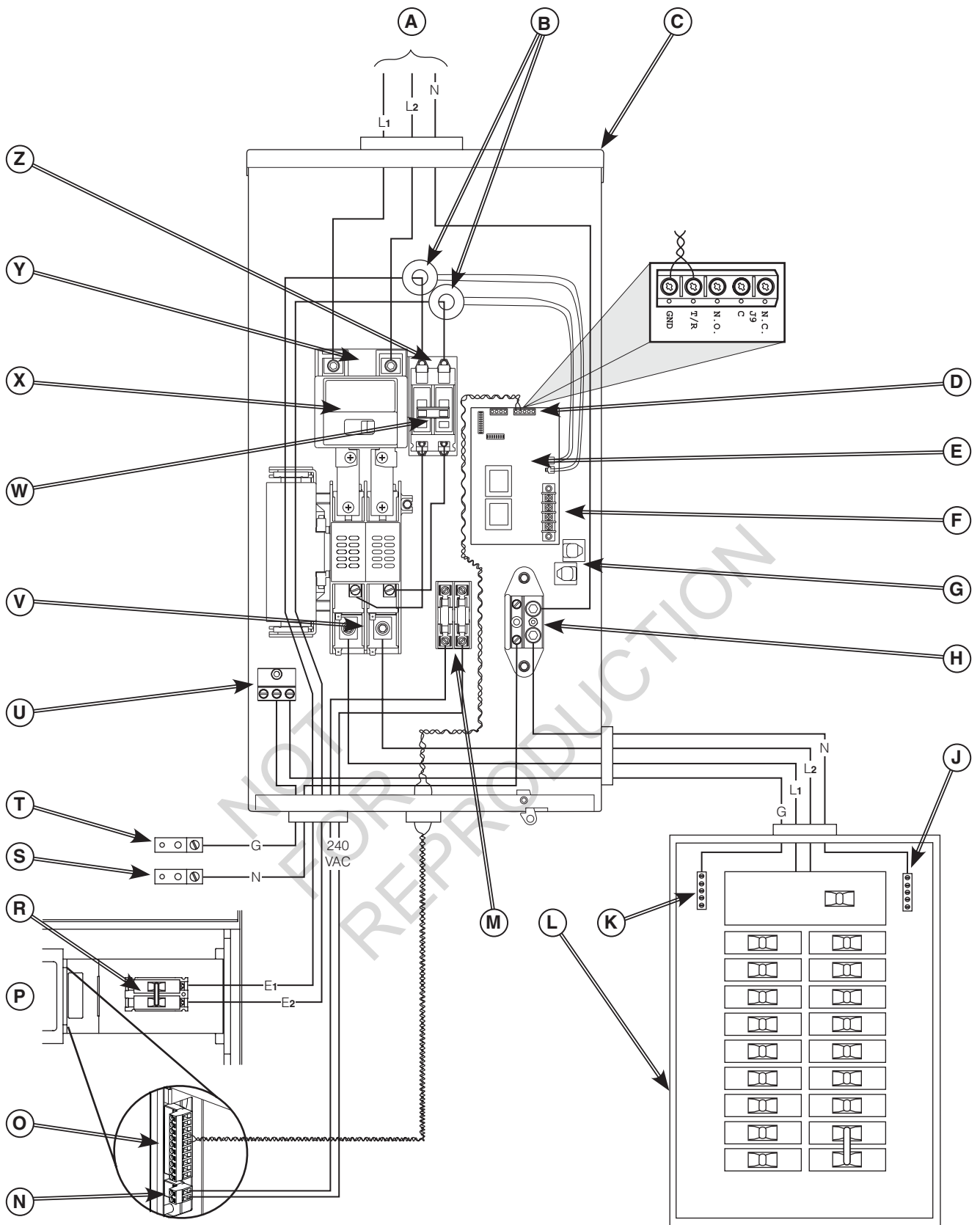
- Los terminales "B-B" del módulo de control permiten que el instalador conecte un contactor para controlar una carga importante. Ejemplo: calentador eléctricos de agua. Los contactos se conectan en serie con el circuito de control del contactor.



- Apriete de todas las conexiones de los cables y elementos de fijación al par adecuado. Consulte los valores de par correctos en el interior de la caja del conector.

La ilustración en la página siguientes demuestra una instalaciones terminada típica. Su instalación real variará. Los reclamos de la ilustración son:

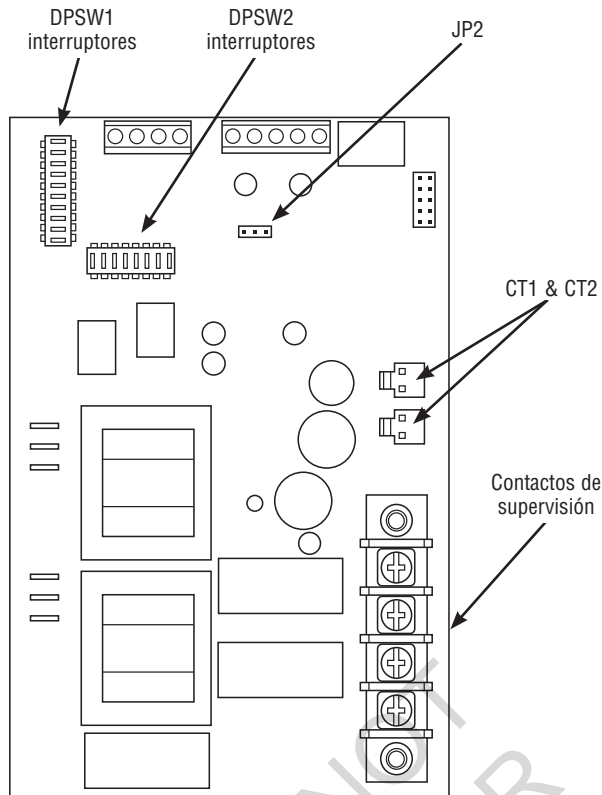
- A – Del metro para uso general del vatio-hora
- B - Transformadors de corriente
- C - Conectador
- D - Conexión de T/R y GND al generador
- E - Tarjeta de control del conector
- F – Contactos de supervisión
- G - Conductos para cables
- H – Terminales NEUTRAL (neutro)
- J – Barra conductora NEUTRAL (neutro)
- K – Barra conductora Ground (tierra)
- L - Panel de distribución principal
- M - UTILITY 240VAC al generador
- N - Conector de dos polos del panel de control del generador
- O - Conector de diez polos del panel de control del generador
- P - Generador
- R - Disyuntor del generador
- S - Terminales NEUTRAL (neutro) del generador
- T – Orejetas de conexión a tierra (GND) del generador
- U – Orejetas de conexión a tierra (GND) del conector
- V - Conexión de la carga
- W - Disyuntor de desconexión de la generador
- X - Disyuntor de desconexión de la red pública
- Y - Conexión de la compañía proveedora de electricidad
- Z - Conexión al generador



## Configuración del sistema

Deberá llevar a cabo las siguientes operaciones en el módulo de control antes de poner el sistema en funcionamiento:

- Si el generador está instalado en una zona normalmente expuesta a temperaturas inferiores a 4 °C (40 °F), seleccione un tiempo de calentamiento de 50 segundos moviendo el puente instalado en JP2 de la posición '20' a la posición '50'.



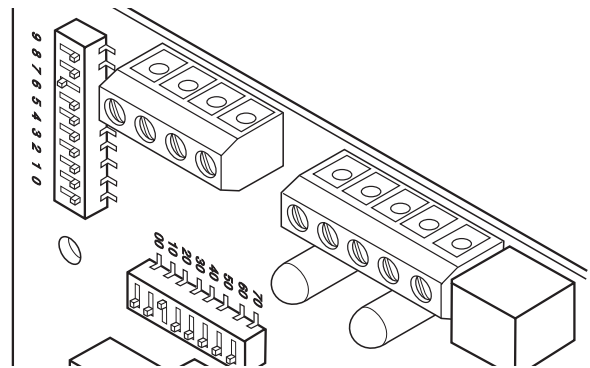
- Configure los interruptores DPSW1 y DPSW2 en el módulo de control de manera que correspondan con la capacidad de KW del generador de reserva doméstico, según se describe en *Configuración de interruptores*.

### Configuración de interruptores

Los interruptores se usan para ajustar la operación de la tarjeta de control con base en la capacidad del generador. Los interruptores DPSW1 y DPSW2 se configuran según la capacidad de kW total del sistema. El interruptor DPSW1 tiene unidades de 1,000 vatios; el interruptor DPSW2 tiene unidades de 10,000 vatios.

**AVISO** Extreme las precauciones al configurar interruptores o la tarjeta de control podría dañarse.

- Utilice un lápiz o una pieza pequeña de plástico para configurar el interruptor.
- NUNCA utilice un destornillador ni ningún otro tipo de objeto metálico para configurar los interruptores.



La posición "On" de los interruptores es el número del interruptor EN LA TARJETA DE CONTROL, no en el interruptor. Por ejemplo, en un generador de 27,000 vatios, sitúe el interruptor DPSW2 "20" en la posición "On". Sitúe el interruptor DPSW1 "7" en la posición "On". 20,000 más 7000 es igual a 27,000 vatios. **Sitúe sólo un conmutador en la posición "On" en el DPSW1 y DPSW2.**

### Prueba del sistema

Con el interruptor del sistema del generador en **AUTO**, ponga el disyuntor de desconexión de la red pública que alimenta al contactor del conector en la posición "OFF" (cerrado). Después de unos minutos, el generador arrancará y el conector cambiará al suministro del generador.

Para volver a utilizar el suministro de alimentación de la red pública, ponga el disyuntor de desconexión de la red pública que alimenta al contactor del conector en la posición ON.

## Controles

Aparte de la palanca de cancelación manual, el conector no tiene ningún otro mando, ya que es automático. La cancelación manual es para uso exclusivo de profesionales cualificados. La información sobre el uso del asa se puede obtener comunicándose con el Servicio técnico al 800-743-4115.



## Funcionamiento

Para seleccionar el funcionamiento automático del conector, haga lo siguiente:

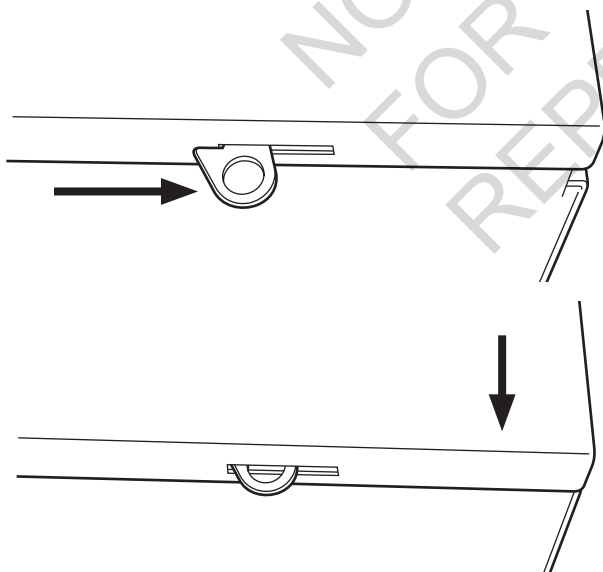
1. En el conector, ponga el disyuntor de desconexión de la red pública en la posición “ON” (abierto).
2. En el conector, ponga el disyuntor de desconexión del generador en la posición “ON”.
3. Instale el fusible de 15 A en el panel de control del generador.
4. Ponga el disyuntor del generador en la posición “ON” (conectado).
5. Ponga el conmutador del sistema del generador en la posición “AUTO”.

El sistema estará entonces en el modo de funcionamiento automático.

Cuando el generador suministra energía al conector, el controlador supervisa permanentemente la potencia del generador. Si se intenta activar el acondicionador de aire y de que la potencia disponible del generador es suficiente, el controlador cierra los contactos “A-A” de conexión al contactor del acondicionador de aire. Los contactos “B-B” se abren antes del cierre de los contactos “A-A”. Si las cargas son excesivas para el generador, los contactos A-A y/o B-B se abren. Cuando no es necesario utilizar el aire acondicionado, el contacto A-A se abre. Si la potencia disponible es suficiente, el contacto B-B se cierra.

### Puerta de la caja

Para abrir la puerta, oprima la cerradura de la puerta accionada con resorte hacia la derecha y tire de la puerta.



Para cerrar y bloquear la puerta, empújela y ciérrrela hacia la caja. Mientras se encuentra en esta posición, empuje la puerta hacia arriba. Esto provocará que la cerradura de la puerta accionada con resorte se enganche y bloquee la puerta en su lugar.

La puerta de la caja DEBE estar cerrada y bloqueada en todo momento excepto cuando se está dando mantenimiento al sistema.

### Prueba del conector automático

Ponga el disyuntor de desconexión de la red pública que alimenta al contactor del conector en la posición “OFF” (cerrado). Inicialá la secuencia automática del sistema. Para volver a utilizar el suministro de alimentación de la red pública, coloque el dispositivo de desconexión de la red pública en la posición “ON”.

### Fallo de la red pública

El sensor de tensión de la red pública detecta cuándo esta tensión está por debajo del 70% de la nominal. Tras un retardo de 6 segundos, se inicia la secuencia de arranque del motor.

### Calentamiento del motor

Retardado de tiempo para permitir el calentamiento del motor antes de la transferencia. Utilice el puente de la tarjeta de control para seleccionar el retraso de 20 segundos o 50 segundos.

### Transferencia

Las transferencias de alimentación desde la red pública a la alimentación de reserva se producen cuando la tensión del equipo de reserva está por encima de los niveles especificados. El tiempo mínimo de funcionamiento del motor después de la transferencia es de 5 minutos.

### Recuperación de la red pública

El nivel de recuperación de la tensión es el 80% de la tensión nominal.

### Retransferencia

Retransferencia de la alimentación de reserva a la alimentación de la red pública 10 segundos después de que la tensión de la red pública se sitúe por encima del nivel de recuperación y ha transcurrido el tiempo mínimo de funcionamiento.

### Enfriamiento del motor

El motor funcionará durante 60 segundos después de producirse la retransferencia.

## Mantenimiento

En condiciones normales de uso, el conector no requiere mantenimiento. No obstante, se recomienda examinar el conector y realizar comprobaciones de forma periódica. Principalmente, el mantenimiento consiste en la limpieza del conector.

Lleve a cabo un examen visual al menos una vez al mes. La vía de acceso al conector debe permanecer libre de obstáculos. Deje un espacio mínimo de 92 cm (3 pies) alrededor del conector. Compruebe la presencia de polvo acumulado, humedad o corrosión sobre la caja o a su alrededor, piezas flojas, grietas o pérdida de color del aislamiento y componentes dañados o descoloridos.

Ponga en funcionamiento el conector al menos una vez cada tres meses siguiendo las instrucciones de la sección *Prueba del conector automático*, a menos que el sistema generador doméstico se haya activado automáticamente como resultado de un corte de suministro eléctrico. Deje funcionar el generador durante un mínimo de 30 minutos.

Póngase en contacto con un electricista cualificado para examinar y limpiar el interior de la caja y otros componentes del sistema de generador doméstico al menos una vez al año.

### Si llama para solicitar ayuda

Debe tener a la mano el número de modelo y número de serie de la etiqueta de ID de la unidad si es necesario comunicarse con un centro de servicio local en relación con el mantenimiento o la reparación de esta unidad. Obtenga esta información de la etiqueta de ID de la unidad ubicada en la caja o dentro de ésta.

Para comunicarse con Briggs & Stratton, llame al 800-743 4115, de 8:00 a. m. a 5:00 p. m. hora del centro.

### Inspección posterior a la instalación

Antes de poner el sistema en servicio, inspeccione toda la instalación cuidadosamente.

Cumplimente la "Lista de control de la instalación" suministrado su generador mientras realiza la inspección. Asegúrese de incluir todos los elementos y de obtener todas las firmas correspondientes. Indique al propietario que debe enviar la copia blanca por correo a:

Warranty Registration  
P. O. Box 239  
Jefferson, WI 53549

# Notas

NOT  
FOR  
REPRODUCTION

## Resolución de problemas

Problema	Causa	Acción
<b>El conector automático no transfiere la conexión al generador</b>	<ol style="list-style-type: none"> <li>1. El disyuntor del generador está abierto.</li> <li>2. La tensión del generador no es aceptable.</li> <li>3. El disyuntor de desconexión del generador abierto en el conector.</li> </ol>	<ol style="list-style-type: none"> <li>1. Rearme el disyuntor del generador.</li> <li>2. Consulte el manual del generador.</li> <li>3. Reinicialice el disyuntor de desconexión del generador en el conector.</li> </ol>
<b>El conector automático no transfiere la conexión a la red pública</b>	<ol style="list-style-type: none"> <li>1. Disyuntor de desconexión de la red pública abierto en el conector.</li> <li>2. La tensión de la red pública no es aceptable.</li> </ol>	<ol style="list-style-type: none"> <li>1. Reinicialice el disyuntor de desconexión de la red pública en el conector.</li> <li>2. Espere a que se restablezca la normalidad en la tensión de la red pública.</li> </ol>
<b>El generador sigue funcionando después de que el conector transfiera la conexión a la red pública</b>	El período de enfriamiento del motor.	El motor debería detenerse después de 1 minutos.
<b>Las cargas supervisadas (acondicionador de aire, etc.) no funcionan cuando se utiliza la red eléctrica</b>	<ol style="list-style-type: none"> <li>1. Los contactos A-A o B-B no funcionan correctamente.</li> <li>2. La carga del generador es excesiva.</li> <li>3. El transformador de corriente no conectado.</li> <li>4. El transformador de corriente está averiado.</li> </ol>	<ol style="list-style-type: none"> <li>1. Compruebe si los contactos A-A y B-B funcionan correctamente y verifique el cableado de control de la carga externa.</li> <li>2. Reduzca la carga del generador.</li> <li>3. Póngase en contacto con su centro de servicio autorizado</li> <li>4. Póngase en contacto con su centro de servicio autorizado</li> </ol>
<b>El generador sigue funcionando cuando se restablece la alimentación eléctrica de la red eléctrica</b>	<ol style="list-style-type: none"> <li>1. No ha transcurrido el tiempo de funcionamiento mínimo del motor.</li> <li>2. El o los fusibles del conector son defectuosos.</li> </ol>	<ol style="list-style-type: none"> <li>1. Espere cinco minutos a que el conector vuelva a utilizar la tensión de la red pública.</li> <li>2. Compruebe los fusibles y sustitúyalos si fuera necesario.</li> </ol>

## POLÍTICA DE GARANTÍA PARA EL PROPIETARIO DEL CONECTADOR DE BRIGGS & STRATTON POWER PRODUCTS GROUP, LLC

Fecha de entrada en vigor: 1 de Noviembre de 2005. Sustituye a todas las garantías sin fecha y a las de fecha anterior al 1 de Noviembre de 2005

### GARANTÍA LIMITADA

Briggs & Stratton Power Products Group, LLC reparará o sustituirá sin cargo alguno cualquier componente del equipo que presente defectos de materiales y/o mano de obra. Los gastos de transporte de las productos enviadas para reparar o sustituir conforme a los términos de esta garantía correrán a cargo del comprador. El periodo de vigencia y las condiciones de esta garantía son los que se estipulan a continuación. Para obtener servicio en garantía, localice el distribuidor de servicio autorizado más próximo en nuestro mapa de distribuidores, en [www.BRIGGSandSTRATTON.COM](http://www.BRIGGSandSTRATTON.COM).

NO EXISTE NINGUNA OTRA GARANTÍA EXPLÍCITA. LAS GARANTÍAS IMPLÍCITAS, INCLUIDAS LAS DE COMERCIABILIDAD O IDONEIDAD PARA UN FIN CONCRETO, SE LIMITAN A UN AÑO DESDE LA FECHA DE COMPRA O AL LÍMITE DE TIEMPO PERMITIDO POR LA LEY. QUEDAN EXCLUIDAS TODAS LAS GARANTÍAS IMPLÍCITAS QUEDA EXCLUIDA LA RESPONSABILIDAD POR DAÑOS SECUNDARIOS Y DERIVADOS HASTA EL LÍMITE PERMITIDO POR LA LEY. Algunos países o estados no permiten limitar la duración de una garantía implícita ni excluir o limitar los daños secundarios y derivados. Por tanto, es posible que las limitaciones y exclusiones mencionadas no sean aplicables en su caso. Esta garantía le otorga determinados derechos legales y es posible que tenga otros derechos que pueden variar de un país o estado a otro.

### PERÍODO DE GARANTÍA

Uso del consumidor	3 Años
Uso comercial	ninguno

El período de garantía comienza en la fecha de compra del primer consumidor o usuario comercial final y se prolonga durante el tiempo especificado en la siguiente tabla. "Uso del consumidor" significa uso doméstico personal por parte de un consumidor final. "Uso comercial" significa cualquier otro uso, incluidos los usos con fines comerciales, de generación de ingresos o alquiler. Una vez que el equipo se haya usado con fines comerciales, se considerará como equipo de uso comercial a efectos de esta garantía. Los equipos utilizados para suministrar energía en sustitución de un servicio público no pueden acogerse a esta garantía.

NO ES NECESARIO REGISTRAR LA GARANTÍA PARA OBTENER SERVICIO DE BRIGGS & STRATTON PRODUCTS. GUARDE SU RECIBO DE COMPRA. SI NO APORTA LA PRUEBA DE LA FECHA DE COMPRA INICIAL, SE UTILIZARÁ LA FECHA DE FABRICACIÓN DEL PRODUCTO PARA DETERMINAR EL PERÍODO DE GARANTÍA.

### ACERCA DE LA EQUIPO GARANTÍA

Esperamos que disfrute de nuestra garantía y le pedimos disculpas por las molestias causadas. Cualquier distribuidor de servicio autorizado puede llevar a cabo reparaciones en garantía. La mayoría de las reparaciones en garantía se gestionan normalmente, pero algunas veces la solicitud de servicio en garantía puede no ser procedente. Por ejemplo, la garantía no será válida si el equipo presenta daños debidos al mal uso, la falta de mantenimiento, el transporte, la manipulación, el almacenamiento o la instalación inadecuados. De manera similar, la garantía quedará anulada si se ha borrado la fecha de fabricación o el número de serie del equipo, o si el equipo ha sido alterado o modificado. Durante el período de garantía, el distribuidor de servicio autorizado podrá reparar o sustituir, a su libre elección, cualquier pieza que, previa inspección, sea defectuosa en condiciones normales de uso y servicio. Esta garantía no cubre las reparaciones y equipos que se detallan a continuación:

- **Desgaste normal:** Al igual que cualquier otro aparato mecánico, los equipos de uso en exteriores necesitan piezas y mantenimiento periódicos para funcionar correctamente. Esta garantía no cubre las reparaciones cuando el uso normal haya agotado la vida útil de una pieza concreta del equipo.
- **Instalación y mantenimiento:** Esta garantía no cubre los equipos ni las piezas cuya instalación sea incorrecta o no haya sido autorizada, ni aquellos que hayan sido objeto de cualquier tipo de alteración, mal uso, negligencia, accidente, sobrecarga o mantenimiento, reparación o almacenamiento inadecuados que, a nuestro juicio, haya afectado negativamente a su funcionamiento y su fiabilidad. La garantía tampoco cubre el mantenimiento normal, como los ajustes y la limpieza y cambio de los fusibles.
- **Otras exclusiones:** También quedan excluidos de esta garantía el desgaste de los artículos tales y los daños derivados de accidentes, uso indebido, modificaciones, alteraciones, servicio inadecuado. Los accesorios quedan excluidos de la garantía del producto. Esta garantía excluye los fallos debidos a hechos fortuitos y a otros acontecimientos de fuerza mayor que escapan al control del fabricante. También se excluyen los equipos usados o reacondicionados y los destinados a demostraciones. 198180S, Rev. C, 12/31/2006

BRIGGS & STRATTON POWER PRODUCTS GROUP, LLC  
JEFFERSON, WI, EE.UU

Español

es

# Interruptor de transferencia automática

## Especificaciones del producto

### Modelo 071036

Corriente de carga nominal máxima a 25°C (77°F)* .....	200 A
Tensión nominal c.a.....	250 V
Polos.....	2
Frecuencia.....	60 Hz
Valor nominal de la corriente conexión a tierra .....	25,000 A eficaces, simétrica
Valor nominal de los contactos de supervisión A-A.....	24 V CA
contactos de supervisión B-B.....	1A, 125 V CA
	régimen de piloto
Rango operativo normal .....	-28.8°C (-20°F) to 40°C (104°F)
Peso.....	28 kg (63 lbs).

### Modelo 071045

Corriente de carga nominal máxima a 25°C (77°F)* .....	100 A
Tensión nominal c.a.....	250 V
Polos.....	2
Frecuencia.....	60 Hz
Valor nominal de la corriente conexión a tierra .....	25,000 A eficaces, simétrica
Valor nominal de los contactos de supervisión A-A.....	24 V CA
contactos de supervisión B-B.....	1A, 125 V CA
	régimen de piloto
Rango operativo normal .....	-28.8°C (-20°F) to 40°C (104°F)
Peso.....	27 kg (59 lbs).

NOT FOR REPRODUCTION

\*Este conector está certificado conforme a la norma UL (Underwriters Laboratories) 1008 (equipos conectadores).

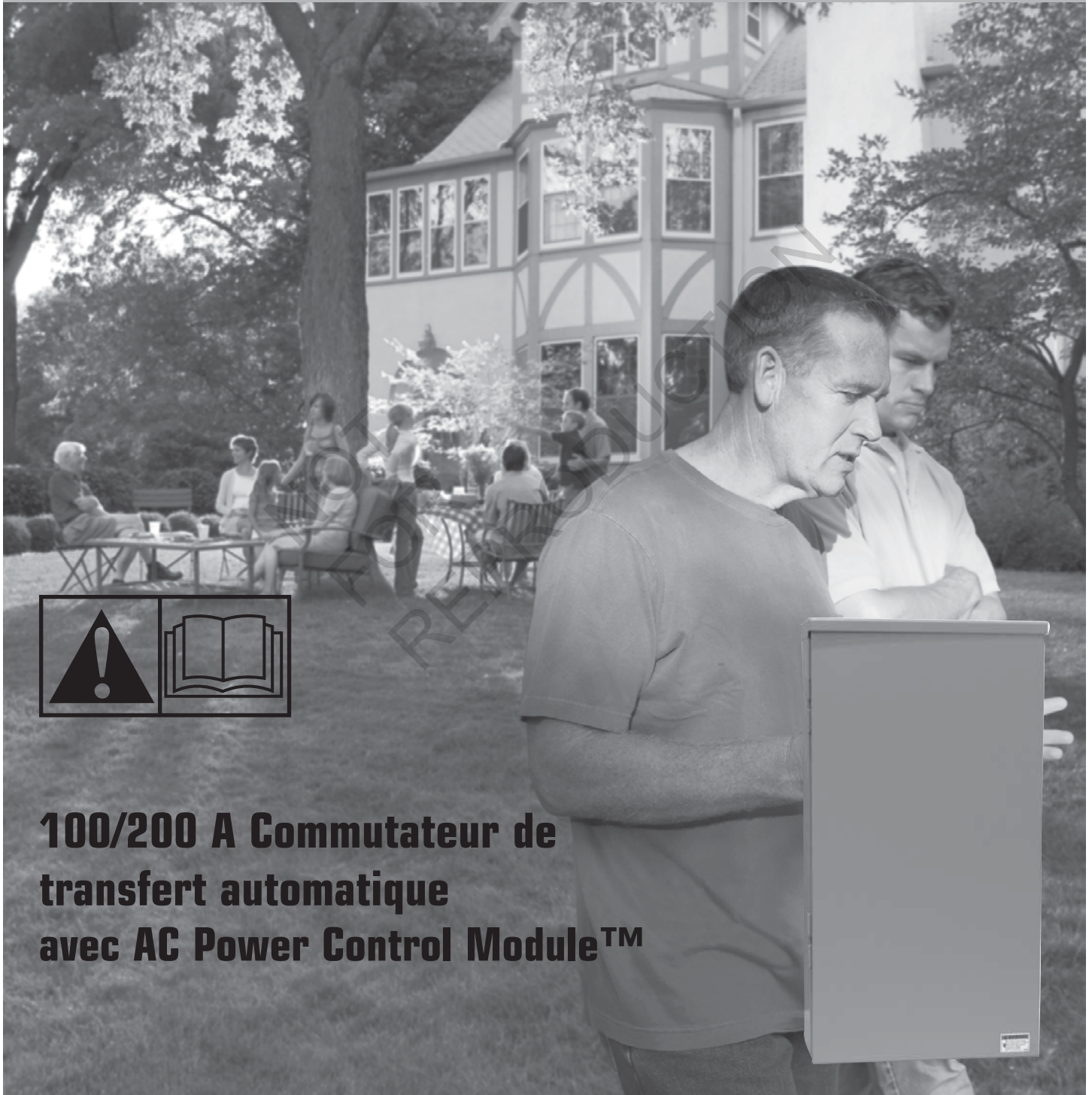
Briggs & Stratton Power Products Group, LLC  
900 N. Parkway  
Jefferson, Wisconsin, 53549 U.S.A.





**Generator Systems**

## Guide d'installation et d'utilisation



**100/200 A Commutateur de  
transfert automatique  
avec AC Power Control Module™**



**Nous vous** remercions d’avoir acheté ce commutateur de transfert automatique de Briggs & Stratton® Power Products. Ce produit est conçu pour être utilisé avec des génératrices de secours résidentielles spécifiques et risque de ne pas fonctionner avec des génératrices fabriquées par d’autres sociétés. Ayez recours à un professionnel en électricité qualifié pour déterminer l’applicabilité de ce produit aux génératrices fabriquées par d’autres sociétés. Si vous respectez les directives d’utilisation et d’entretien de ce manuel, vous pourrez vous fier à votre système durant de nombreuses années.

**Ce manuel contient** des renseignements sur la sécurité pour vous informer des dangers et des risques associés à ce système et de la façon de les éviter. Nous avons tout fait pour fournir un produit dont l’installation soit sécuritaire, facile et économique. Comme chaque installation est unique, il est impossible de connaître et de recommander une marche à suivre présentant toutes les méthodes et consignes d’installation possibles. De plus, nous ne connaissons pas tous les dangers et/ou résultats potentiels de chaque méthode ou procédure. Il est important de bien lire et comprendre entièrement ces directives avant de tenter d’installer et d’utiliser cet équipement. **Conservez ces directives aux fins de consultation ultérieure.**

**Ce commutateur de transfert nécessite une installation avant l’utilisation.** Consultez la section Installation de ce manuel pour les directives concernant les procédures d’installation. Seuls des entrepreneurs en électricité qualifiés devraient installer des systèmes de gestion de l’alimentation. Toute installation doit être conforme à l’ensemble des codes, normes et règlements applicables (fédéraux, provinciaux et locaux). L’installateur doit suivre ces directives à la lettre.

### Où nous trouver

Vous n’aurez jamais à chercher bien loin pour trouver un centre de soutien et de service Briggs & Stratton pour votre système. Consultez les Pages Jaunes. De nombreux distributeurs de service après-vente agréés offrent un service de qualité. Vous pouvez aussi joindre le Service technique en composant le 800-743-4115, entre 8 h et 17 h HNC ou communiquer avec eux par Internet à l’adresse BRIGGSandSTRATTON.com.

### À des fins de consultation ultérieure

Veillez fournir les renseignements suivants et les conserver avec votre reçu pour vous aider dans l’identification de l’appareil lors de vos prochains achats d’équipement.

### Commutateur de transfert

Numéro de modèle

--	--	--	--	--	--	--	--	--	--

Révision

--	--

Numéro de série

--	--	--	--	--	--	--	--	--	--	--	--	--	--	--	--	--	--	--	--

Date d’achat

--	--	--	--	--	--

# Table des matières

<b>Directives de sécurité importantes</b> . . . . .	<b>4</b>
<b>Installation</b> . . . . .	<b>5</b>
Conseils au propriétaire . . . . .	5
Responsabilités du détaillant / de l'entrepreneur chargé de l'installation. . .	5
Directives d'assemblage. . . . .	6
Interconnexions du câblage d'alimentation . . . . .	7
<b>Commandes</b> . . . . .	<b>10</b>
<b>Mode d'utilisation</b> . . . . .	<b>11</b>
Mise à l'essai du commutateur de transfert automatique . . . . .	11
<b>Entretien</b> . . . . .	<b>12</b>
<b>Dépannage</b> . . . . .	<b>14</b>
<b>Garantie</b> . . . . .	<b>16</b>
<b>Caractéristiques du produit</b> . . . . .	<b>17</b>

NOT  
FOR  
REPRODUCTION

# Conservez ces directives

## Directives de sécurité importantes

**CONSERVEZ CES DIRECTIVES** – Ce manuel renferme d'importantes directives qu'il faut suivre durant l'installation et l'entretien de l'équipement.

### Symboles de sécurité et leur signification



Choc électrique



Lisez le manuel

▲ Le symbole d'alerte de sécurité indique un risque potentiel de blessure personnelle. Un mot signal (DANGER, AVERTISSEMENT ou ATTENTION) est utilisé avec un symbole d'alerte pour vous indiquer le degré ou le niveau du risque. Un symbole de sécurité peut être utilisé pour représenter le type de risque. Le mot signal AVIS est utilisé pour traiter les pratiques qui ne sont pas reliées aux blessures personnelles.

▲ Le mot signal **DANGER** indique un danger qui, s'il n'est pas évité, *causera* la mort ou des blessures graves.

▲ Le mot signal **AVERTISSEMENT** indique un risque qui, s'il n'est pas évité, *pourrait causer* la mort ou des blessures graves.

▲ Le mot signal **ATTENTION** indique un risque qui, s'il n'est pas évité, *pourrait causer* des blessures mineures ou modérées.

Le mot **AVIS** est utilisé pour les pratiques qui ne sont pas reliées aux blessures personnelles.

Le fabricant ne peut anticiper toutes les circonstances potentielles pouvant comporter un danger. Par conséquent, les avertissements contenus dans le présent manuel, ainsi que les plaques et les décalques apposés sur l'unité n'englobent pas toutes les possibilités. Si vous utilisez une procédure, une méthode de travail ou une technique d'opération non spécifiquement recommandée par le fabricant, vous devez vous assurer qu'elle ne compromet pas votre sécurité ni celle des autres. Vous devez également vous assurer que la procédure, la méthode de travail ou la technique d'opération que vous choisissez ne rend pas l'équipement dangereux.

▲ **AVERTISSEMENT** Seuls les électriciens qualifiés peuvent procéder à l'installation de cet équipement, laquelle doit respecter strictement les codes, normes et règlements applicables.

▲ **AVERTISSEMENT** Certains composants de ce produit ainsi que les accessoires reliés contiennent des produits chimiques reconnus par l'État de la Californie comme causant des cancers, des malformations congénitales, ou d'autres problèmes de reproduction. **Nettoyez-vous les mains après la manipulation.**

▲ **AVERTISSEMENT** Les fils de basse tension ne peuvent pas être installés dans le même conduit que les fils d'alimentation.



- Le non-respect de cet avertissement pourrait entraîner des blessures personnelles et l'endommagement ou le mauvais fonctionnement de l'équipement.

▲ **AVERTISSEMENT** Si l'équipement n'est pas mis à la terre comme il se doit, il y a risque d'électrocution.



- Ne pas toucher aux fils dénudés.
- Ne pas utiliser l'équipement si le câblage est usé, effiloché, dénudé ou autrement endommagé.
- Ne pas manipuler les cordons électriques les pieds dans l'eau ou les pieds nus ou lorsque les mains ou les pieds sont mouillés.
- Si vous devez travailler autour d'une unité alors qu'elle est en marche, placez-vous sur une surface sèche isolée afin de réduire les risques de choc électrique.
- Ne pas laisser les personnes non qualifiées ou les enfants utiliser ou entretenir l'équipement.
- En cas d'accident causé par un choc électrique, mettez immédiatement toutes les sources d'alimentation électrique hors tension et communiquez avec les autorités locales. **Évitez tout contact direct avec la victime.**

▲ **AVERTISSEMENT** L'équipement fonctionne à une tension élevée qui peut entraîner des blessures ou la mort.



- En dépit de la conception sécuritaire du système, le fait d'opérer l'équipement de façon imprudente, de ne pas l'entretenir ou d'être négligent peut causer des blessures et la mort.

**AVIS** Le traitement inadéquat de l'équipement peut l'endommager et réduire sa durée de vie utile.

- N'utilisez l'équipement que pour les applications pour lesquelles il a été conçu.
- Si vous avez des questions à propos de l'utilisation prévue de cet appareil, consultez votre détaillant ou communiquez avec Briggs & Stratton Power Products.
- N'exposez pas l'équipement à l'humidité excessive, à la poussière, à la saleté ou aux vapeurs corrosives.
- Demeurez alerte en tout temps lorsque vous travaillez sur cet équipement. Ne travaillez jamais sur l'équipement si vous êtes fatigué physiquement ou mentalement.
- Si les appareils branchés surchauffent, éteignez-les et mettez leur disjoncteur ou fusible hors tension.

## Installation

Nous sommes vraiment reconnaissants de vous compter parmi nos clients. Pour cette raison, nous avons déployé tous les efforts pour vous offrir un produit dont l'installation soit sécuritaire, facile et économique. Comme chaque installation est unique, il est impossible de connaître et de recommander une marche à suivre présentant toutes les méthodes et consignes d'installation possibles. De plus, nous ignorons les dangers et/ou les résultats potentiels propres à chaque méthode ou procédure. Voilà pourquoi **seuls des entrepreneurs en électricité qualifiés devraient procéder à l'installation de ce système. Toute installation doit être conforme à l'ensemble des codes ainsi que des normes et des règlements de l'industrie applicables.**

Votre équipement vous est livré avec le présent « Manuel d'installation et d'utilisation ». Ce manuel est un document important; conservez-le après avoir terminé l'installation.

Tout a été fait pour s'assurer que les renseignements contenus dans le présent manuel sont exacts et à jour. Toutefois, le fabricant se réserve le droit de changer, de modifier ou encore d'améliorer le système en tout temps sans préavis.

### Responsabilités du propriétaire

Afin de vous aider à faire des choix avisés et à communiquer efficacement avec l'entrepreneur qui procédera à l'installation, **veuillez lire attentivement la section *Conseils au propriétaire avant de commencer l'installation de votre équipement ou de la confier à un entrepreneur.***

Pour assurer une installation adéquate, veuillez contacter le magasin qui vous a vendu votre équipement, votre détaillant ou votre fournisseur de services d'électricité.

**Si l'installation du système n'est pas effectuée par un professionnel en électricité certifié, la garantie sera ANNULÉE.**

### Conseils au propriétaire

Les illustrations se rapportent à des cas types et ont pour but de vous familiariser avec les différentes options d'installation du système dont vous disposez.

Au moment de négocier avec un installateur professionnel, il faudra tenir compte des facteurs suivants : les codes de sécurité locaux, l'apparence et les distances. Plus la distance entre l'appareil et le service d'alimentation électrique existant est grande, plus on aura besoin de compenser par les matériaux de câblage. Cette contrainte est nécessaire pour vous conformer aux codes locaux et pour surmonter les chutes de tension électrique.

**Ces facteurs auront une incidence directe sur le prix total de l'installation de votre équipement.**

Votre installateur est tenu de vérifier les codes locaux ET d'obtenir les permis requis avant de procéder à l'installation du système.

- Vous devez lire et suivre les directives indiquées dans ce manuel.
- Établissez un programme d'entretien et d'utilisation régulier de votre équipe, tel qu'indiqué dans ce manuel.

### Responsabilités du détaillant / de l'entrepreneur chargé de l'installation

- Vous devez lire et respecter les règles de sécurité.
- Vous devez lire et suivre les directives indiquées dans ce manuel.
- Il se peut l'installateur doit fournir les contacteurs nominaux appropriés selon les charges à contrôler.
- Vérifiez les codes fédéraux, provinciaux et locaux et auprès des autorités compétentes si vous avez des questions concernant l'installation.
- S'assurer que la génératrice n'est pas surchargée par des charges sélectionnées.

Si vous avez des questions concernant l'installation, consultez votre installateur ou votre détaillant ou téléphonez au 800-743-4115 de 8 h à 17 h HNC.

### Description de l'équipement

Le commutateur de transfert est conçu pour transférer des charges sélectionnées retrouvées habituellement dans les installations résidentielles régulières vers l'alimentation de la génératrice dans le cas d'une panne de courant du service public. La charge est branchée à l'alimentation de service (normal) ou à l'alimentation de secours résidentielle (génératrice). En contrôlant la tension de service et celle de la génératrice, le commutateur de transfert se branche automatiquement à la source d'électricité appropriée.

Ces commutateurs facilitent l'installation du groupe électrogène par un électricien autorisé. Un interrupteur de débranchement de l'alimentation de service et un commutateur de transfert automatique sont intégrés au boîtier de l'unité. Les conducteurs et le conduit de l'alimentation de service peuvent être directement branchés de votre compteur au commutateur de transfert. Un câblage de débranchement et connexe distinct n'est pas requis lorsque l'installation est conforme aux normes, à la réglementation et aux codes fédéraux, provinciaux et locaux.

Les principaux éléments du commutateur de transfert sont constitués d'un disjoncteur bipolaire d'interruption de l'alimentation de service, un interrupteur bipolaire bidirectionnel, un module de commande comprenant une carte de circuit imprimé, des bornes de détection de tension avec fusible et le câblage de raccordement. Les circuits du système se trouvent dans un boîtier de type NEMA 3R adapté pour un usage à l'intérieur et à l'extérieur.

Le commutateur de transfert électromagnétique est actionné par la tension de service et de la génératrice et comporte des contacteurs d'interdiction mécaniques ou électriques appropriés qui éliminent le risque de brancher l'alimentation de service à la sortie de la génératrice. Sa capacité nominale est suffisante pour commuter toute la puissance de service de la résidence. Le commutateur comporte un levier de priorité pour transférer l'alimentation manuellement.

La carte du module de commande comprend des circuits actifs qui contrôlent les tensions de service et de la génératrice. Elle produit les signaux de démarrage de la génératrice ainsi que de transfert et de retransfert lorsque l'alimentation de service est rétablie et à la fin du refroidissement de la génératrice. Le module de commande comprend aussi des voyants rouge et vert indiquant les sources d'alimentation disponibles et deux contacts commandés par relais pour le contrôle des charges critiques externes.

### Vérification de la livraison

Après avoir ouvert le carton, examinez avec soin le contenu à la recherche de dommages potentiels subis durant l'expédition.

Au moment de la livraison, si vous remarquez des dommages ou des pièces manquantes, demandez au livreur de noter tous les dommages sur la facture de fret et d'apposer sa signature dans l'espace réservé à cette fin. Si vous remarquez des dommages ou des pièces manquantes après la livraison, communiquez avec le transporteur pour connaître les procédures de réclamation. Les pièces manquantes ou endommagées ne sont pas garanties.

### Contenu de l'envoi

- Commutateur de transfert automatique (1)
- Manuel de d'installation et l'utilisation (1)
- Transformateurs de courant (2)

### Articles non fournis :

- Conduit et fil de branchement
- Divers outils/équipements spécialisés

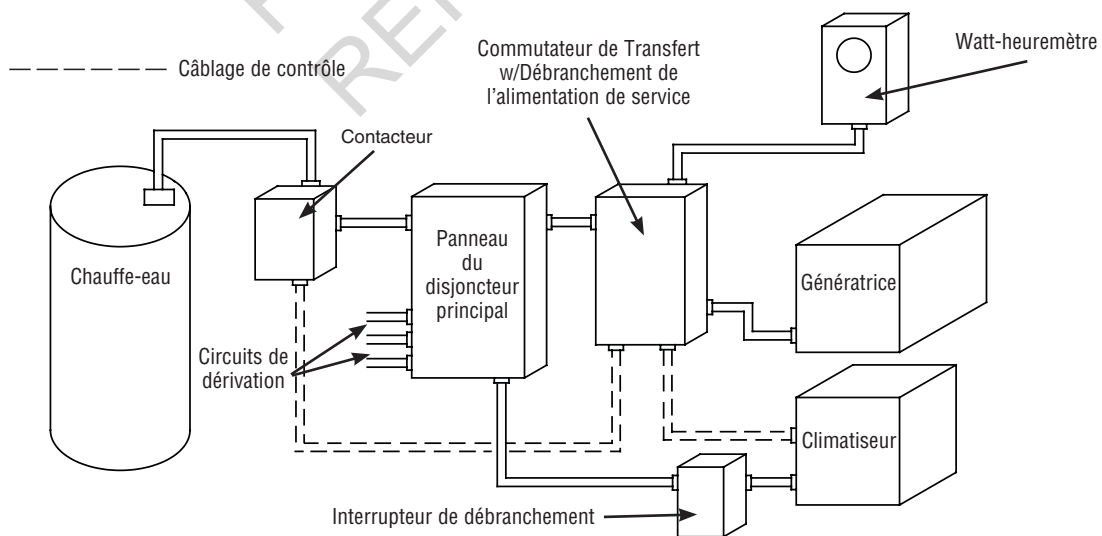
### Directives d'assemblage

Les circuits du système se trouvent dans un boîtier de type NEMA 3R adapté pour un usage à l'intérieur et à l'extérieur. Voici les directives d'assemblage du boîtier :

- Installez le boîtier sur une structure portante ferme et robuste.
- Le boîtier doit être installé avec la quincaillerie de raccordement de conduits cotée au minimum NEMA 3R.
- Nivelez et aplombez le boîtier. Ceci peut être accompli en insérant des rondelles entre le boîtier et la surface de fixation.
- N'installez jamais le dispositif dans un endroit où une substance corrosive pourrait s'infiltrer.
- Protégez le dispositif en tout temps contre l'humidité, les poussières, les saletés, les peluches, le gravier et les vapeurs corrosives.

Voici ci-dessous une installation typique du commutateur de transfert automatique. Il est recommandé d'installer le commutateur près du compteur de l'alimentation de service, soit à l'intérieur ou à l'extérieur. Discutez des suggestions / changements de disposition avec le propriétaire avant d'entamer le processus d'installation du système.

### Typique



## Interconnexions du câblage d'alimentation

Tout le câblage doit être de la bonne dimension, soutenu convenablement et protégé par un conduit. Tout le câblage doit être conforme aux codes, normes et règlements applicables (fédéraux, provinciaux et locaux). Respectez les spécifications relatives au type de fil et au serrage se trouvant sur les blocs de branchement et le raccord neutre/de mise à la terre.

**⚠ AVERTISSEMENT** IL'équipement fonctionne à une tension élevée qui peut entraîner des blessures ou la mort.

- En dépit de la conception sécuritaire du système, le fait d'opérer l'équipement de façon imprudente, de ne pas l'entretenir ou d'être négligent peut causer des blessures et la mort.

Effectuez les raccords suivants entre le commutateur de transfert, le panneau de distribution principal, l'alimentation de service et la génératrice. Utilisez un fil de 300 V CA ou un fil de calibre supérieur, conforme au Tableau 310.16 du Code national de l'électricité. Appliquez les facteurs de correction nécessaires et les calculs de grosseurs de fils.

**AVIS** Une installation inadéquate peut causer des dommages aux cartes de circuit et réduire leur durée de vie utile. L'installation de cartes de circuit imprimé dans des circuits alimentés causera des dommages à la carte et qui n'est pas couverts par la garantie. Débranchez TOUJOURS TOUTES les sources d'alimentation électrique avant l'entretien.

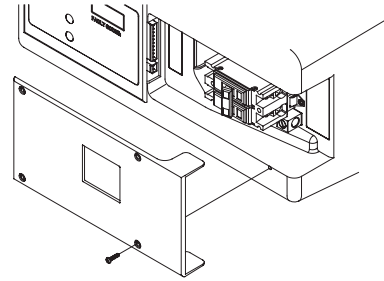
- Retirez toutes les sources d'alimentation avant d'installer l'équipement. La négligence de cette consigne pourrait causer des dommages internes à la carte lors de l'établissement des raccordements électriques.
  - Placez le commutateur de la génératrice à la position « OFF » (ARRÊT).
  - Fermez l'alimentation de service à la génératrice auxiliaire et au commutateur de transfert.
1. Réglez l'interrupteur de la génératrice à la position **OFF**.
  2. Réglez le disjoncteur de la génératrice à la position « OFF » (ARRÊT) et retirez le fusible de 15 A du tableau de commande du système.
  3. Fermez l'alimentation de service à la génératrice auxiliaire et au commutateur de transfert.

**⚠ AVERTISSEMENT** Les bornes, les cosses ainsi que tous les accessoires reliés à la batterie contiennent du plomb et des composés de plomb - produits chimiques reconnus par l'État de la Californie comme causant des cancers et d'autres problèmes de reproduction. **Nettoyez-vous les mains après la manipulation.**

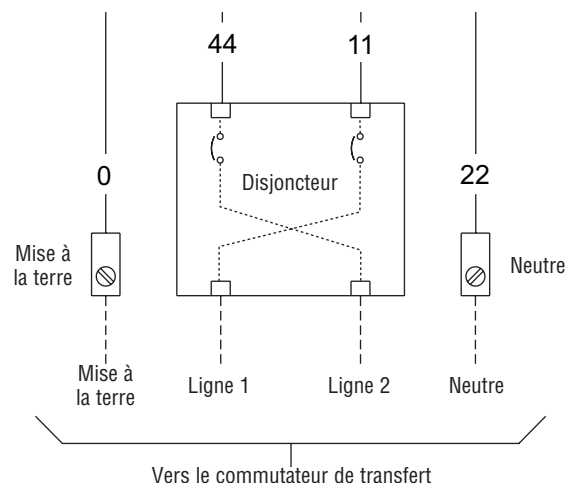
4. Raccordez l'alimentation de service aux bornes de disjoncteur de l'alimentation « UTILITY CONNECTION » du commutateur de transfert.
5. Branchez le neutre de service public à la borne neutre du commutateur de transfert.

6. Raccordez les conducteurs de la ligne d'alimentation du panneau de disjoncteur principal aux bornes « LOAD CONNECTION » du commutateur de transfert.
7. Raccordez le neutre du panneau de commande de la génératrice à la borne « NEUTRAL » du commutateur de transfert, le cas échéant.
8. Raccordez le conducteur neutre du panneau de disjoncteur principal à la borne « GND » du commutateur de transfert.

Assurez-vous que le conducteur de mise à la terre est raccordé selon les normes, les réglementations et les codes fédéraux, provinciaux et locaux applicables.

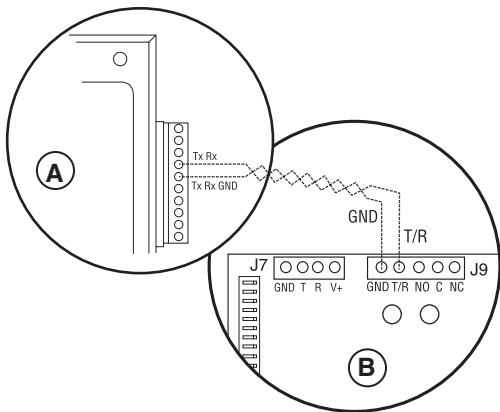


9. Branchez les conducteurs d'alimentation en cuivre des bornes « GENERATOR CONNECTION » du disjoncteur du commutateur de transfert au disjoncteur de la génératrice aux bornes « LINE1 » et « LINE2 ». Tous les conducteurs doivent être passés par l'ouverture du transformateur de courant avant que la connexion ne soit effectuée.
10. Branchez les fils du transformateur de courant aux bornes « CT1 » et « CT2 » sur le tableaux de commande du commutateur de transfert.
11. Branchez le conducteur en cuivre à partir de la borne neutre du commutateur de transfert à la borne neutre du panneau de commande de la génératrice. **Consultez les étiquettes du panneau de contrôle de la génératrice au sujet de l'identification des bornes.**
12. Branchez le conducteur en cuivre à partir de la borne « GND » du commutateur de transfert à la borne « GROUND » du panneau de commande de la génératrice.





13. Branchez les bornes « UTILITY 240 VAC » du commutateur de transfert aux bornes « 240 VAC » de la génératrice en utilisant un fil en cuivre 300 V CA fourni par l'installateur ou d'un fil en cuivre de calibre supérieur, des conducteurs d'une grosseur minimum de 14 AWG à l'aide du connecteur de deux pôles fourni avec le générateur.
14. Branchez les bornes « T/R » et « GND » du tableau de commande du commutateur de transfert (**B**) aux bornes « TxRx » et « TxRx GND » du tableau de commande de la génératrice (**A**) en utilisant des conducteurs en cuivre à paire torsadée de 18 AWG, pas plus long de 200 pieds, 300 Volts, 75° C-90° C à l'aide du connecteur de dix pôles fourni avec le générateur.



15. Serrez au couple approprié tous les raccords de fils et attaches. Consultez l'étiquette à l'intérieur du boîtier pour connaître les couples de serrage appropriés.

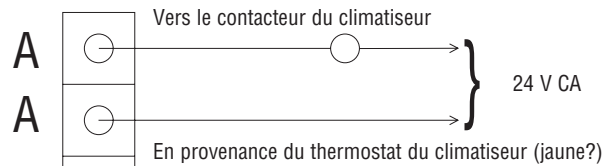
## Câblage de contrôle

Un climatiseur peut être utilisé avec des contacts de supervision sur les bornes A-A ou B-B. Les bornes A-A ne peuvent être utilisées qu'avec une commande de supervision. Les charges importantes ne peuvent être utilisées qu'avec une commande de contacteurs sur les bornes B-B. Des exemples de chacun des systèmes sont présentés ci-dessous.

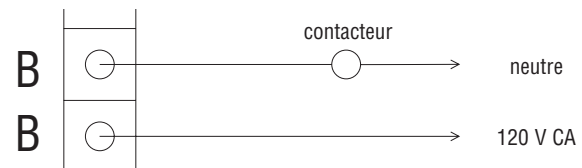
1. La barrette de raccordement du tableau de commande du commutateur de transfert comporte quatre raccords à l'usage du client. Deux ensembles de contacts "normalement fermés" sont disponibles. Ils sont activés lorsque la génératrice est mise en marche. Ils peuvent servir au contrôle d'importantes charges branchées à la génératrice comme. Exemple: climatiseur, chauffe-eau, etc. Les charges peuvent être activées pourvu que la génératrice produise la puissance nécessaire.

Pour faciliter la tâche de l'installateur, deux goulottes guide-fils sont fournies pour la disposition des fils de charge de contrôle.

2. La valeur nominale des bornes « A-A » du tableau de commande du commutateur de transfert est de 24 V CA. Branchez ces contacts en série entre le thermostat du climatiseur et le contacteur du climatiseur.



3. Les bornes « B-B » du module de commande servent au contrôle des charges importantes par le contacteur fourni par l'installateur. Exemple : chauffe-eau électriques. Les contacts sont branchés en série au circuit de commande du contacteur.

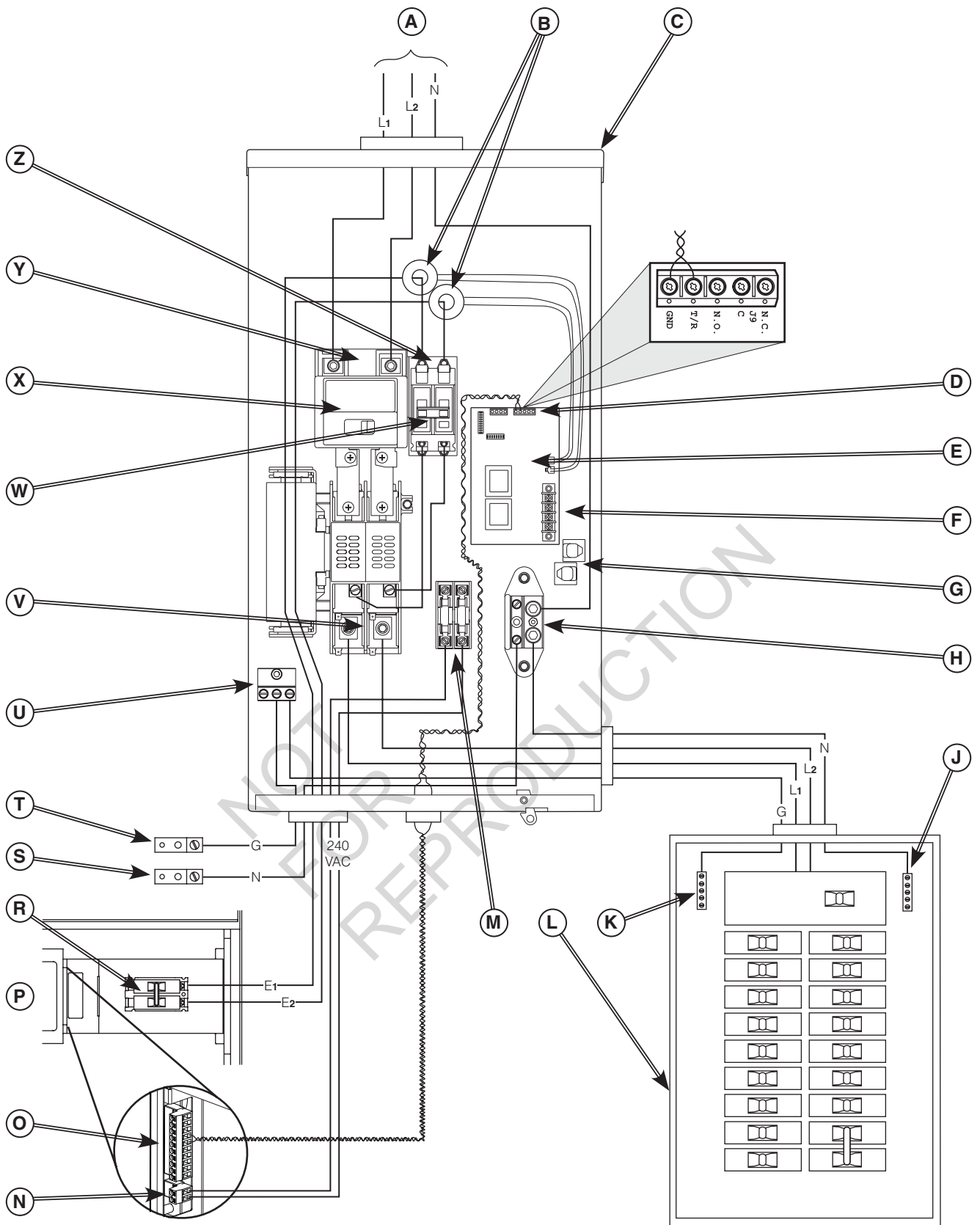


4. Serrez au couple approprié tous les raccords de fils et attaches. Consultez la partie intérieure du boîtier du commutateur de transfert au sujet des couples de serrage.

L'illustration à la page suivants montre une installations réalisée typique. Votre installation réelle variera. Les légendes d'illustration sont :

- A – Du mètre de service de watt-heure
- B - Transformateurs de courant
- C - Commutateur de transfert
- D - Connexion de T/R et GND de la génératrice
- E - Tableaux de commande du commutateur de transfert
- F - Contacts de contrôle
- G - Goulottes guide-fils
- H - Terminaux neutre
- J - Barre neutre
- K - Barre de mise à la terre
- L - Panneau de distribution principal
- M - UTILITY 240VAC de la génératrice
- N - Connecteur à deux pôles pour tableau de commande de la génératrice
- O - Connecteur à dix pôles pour tableau de commande de la génératrice
- P - La génératrice
- R - Disjoncteur de la génératrice
- S - Terminaux neutre de la génératrice
- T - Terminaux de mise à la terre de la génératrice
- U - Terminaux de mise à la terre de la commutateur de transfert
- V - Raccordement des charges
- W - Disjoncteur d'interruption de l'alimentation de la génératrice
- X - Disjoncteur d'interruption de l'alimentation de service
- Y - Branchement de l'électricité de service
- Z - Branchement de la génératrice

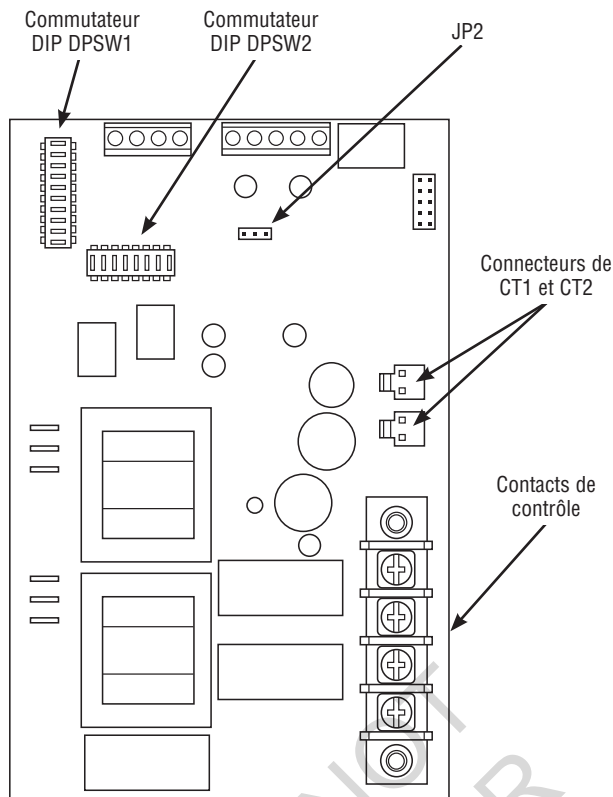




## Configuration du système

Vous devez effectuer les étapes suivantes sur le module de commande avant d'utiliser le système :

- Si la génératrice est située dans une zone régulièrement soumise à des températures inférieures à 40°F (4°C), sélectionnez une durée de réchauffement de 50 secondes en déplaçant le cavalier installé sur JP2 de la position « 20 » à la position « 50 ».



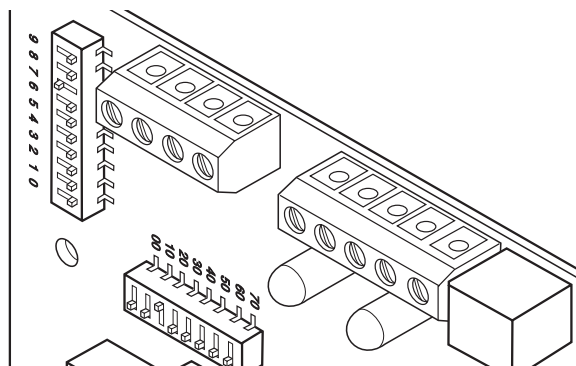
- Réglez les commutateurs DIP DPSW1 et DPSW2 du module de commande à la valeur nominale en KW de la génératrice résidentielle auxiliaire, tel que décrit à la section *Réglage des commutateurs DIP*.

### Réglage des commutateurs DIP

Les commutateurs DIP servent à ajuster l'opération du tableau de commande en fonction de la capacité de la génératrice. Les commutateurs DPSW1 et DPSW2 sont réglés pour correspondre à la valeur nominale totale du système en KW. Le commutateur DIP DPSW1 est doté d'unités de 1 000 watts; le commutateur DIP DPSW2 est doté d'unités de 10 000 watts.

**AVIS** Faites preuve d'une grande attention lors du réglage des commutateurs DIP car des dommages au module de commande pourraient en résulter.

- Utilisez un crayon ou une petite pièce en plastique pour régler les commutateurs DIP.
- N'utilisez JAMAIS un tournevis ou tout type d'objet métallique pour régler les commutateurs DIP.



La position « On » des commutateurs DIP correspond au numéro du commutateur SUR LA TABLEAU DE COMMANDE DU COMMUTATEUR DE TRANSFERT et non sur le commutateur. Par exemple, pour une génératrice de 27 000 watts, réglez le commutateur DIP « 20 » de DPSW2 à la position « On ». Réglez le commutateur DIP « 7 » de DPSW1 à la position « On ». 20 000 plus 7 000 égale 27 000 watts. **Ne réglez qu'un commutateur à la position « On » (MARCHE) sur les commutateurs DPSW1 et DPSW2.**

### Mise à l'essai du système

Pendant que l'interrupteur de la génératrice est à la position « AUTO », réglez le disjoncteur d'interruption de l'alimentation de service alimentant le commutateur de transfert sur « OFF ». Au bout de quelques minutes, la génératrice s'amorcera, et le commutateur de transfert passera à l'alimentation par la génératrice.

Pour revenir à l'alimentation de service, réglez le disjoncteur d'interruption de l'alimentation de service alimentant le commutateur de transfert sur « ON ».

## Commandes

Outre le levier de priorité, aucune autre commande de l'opérateur n'est disponible puisqu'il s'agit d'un commutateur de transfert automatique. Seuls des techniciens professionnels qualifiés peuvent utiliser la commande manuelle de priorité. Des renseignements sur l'utilisation de la poignée peuvent être obtenus en téléphonant au service technique au 800-743-4115.

## Mode d'utilisation

Pour actionner le transfert automatique, suivez la procédure décrite ci-dessous:

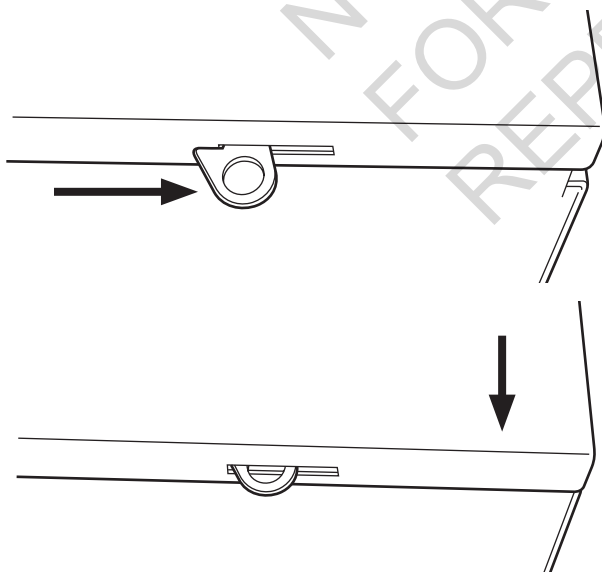
1. Sur le commutateur de transfert, réglez le disjoncteur d'interruption de l'alimentation de service en position « **ON** ».
2. Sur le commutateur de transfert, réglez le disjoncteur d'interruption de la génératrice en position « **ON** ».
3. Installez le fusible de 15 ampères dans le panneau de commande de la génératrice.
4. Réglez le disjoncteur de la génératrice sur « **ON** ».
5. Réglez l'interrupteur de système à « **AUTO** ».

Le système est maintenant en mode de fonctionnement automatique.

Lorsque la génératrice transmet de la puissance à l'interrupteur de transfert, le contrôleur surveille continuellement la puissance de la génératrice. Lorsqu'une demande d'activation du climatiseur est émise, et que la puissance disponible de la génératrice est suffisante, le contrôleur ferme les contacts « A-A » vers le contacteur du climatiseur. Les contacts « B-B » s'ouvrent avant la fermeture des contacts « A-A ». Les contacts « A-A » ou « B-B » s'ouvrent lorsque les charges sont trop importantes pour la génératrice. Les contacts « A-A » s'ouvrent lorsque le climatiseur doit être mis en marche. Les contacts « B-B » se ferment lorsqu'il n'y a pas suffisamment de puissance disponible.

### Porte de boîtier

Pour ouvrir la porte, appuyez sur le verrouillage à ressort de la porte à la droite et tirez la porte.



Pour fermer et verrouiller la porte, poussez la porte contre le boîtier. À cette position, poussez la porte vers le haut. Le verrouillage à ressort de la porte s'engagera alors et verrouillera la porte à cette position.

La porte du boîtier DOIT être fermée et verrouillée en tout temps sauf lors de l'entretien du système.

### Mise à l'essai du commutateur de transfert automatique

Réglez le disjoncteur d'interruption de l'alimentation de service alimentant le commutateur de transfert sur « OFF ». La séquence automatique du système commencera. Pour revenir à l'alimentation de service, réglez l'interrupteur de débranchement sur « ON ».

### Panne de l'alimentation de service

Le génératrice détecte la chute de la tension de service sous 70 pourcent de la tension nominale. La séquence de démarrage du moteur commence après un délai de 6 secondes.

### Réchauffement du moteur

Prévoyez un délai de réchauffement du moteur avant le transfert. Utilisez un cavalier sur le tableau de commande pour sélectionner un délai de 20 secondes ou de 50 secondes.

### Transfert

Le transfert de l'alimentation de service à la génératrice se produit après que la tension de la génératrice dépasse un seuil prédéterminé. Après le transfert, le moteur tourne durant au moins 5 minutes.

### Prise en charge de l'alimentation de service

La tension de prise en charge est de 80 pourcent de la tension nominale.

### Retransfert

Le transfert de l'alimentation de la génératrice à l'alimentation de service se fait 10 secondes après que la tension de service ait dépassé le niveau de prise en charge et temps d'exécution minimum est achevé.

### Refroidissement du moteur

Le moteur tourne pendant 60 secondes après le transfert.

## Entretien

Le commutateur de transfert est conçu pour ne nécessiter aucun entretien dans le cadre d'une utilisation normale. Toutefois, il faut effectuer des inspections et des vérifications d'entretien régulièrement. L'entretien consiste principalement à garder le commutateur de transfert propre.

Une inspection visuelle doit être effectuée au moins une fois par mois. L'accès au commutateur de transfert ne doit pas être obstrué. Laissez un dégagement d'au moins 1 m (3 pi) autour du commutateur de transfert. Vérifiez les accumulations de saleté, moisissure et/ou de corrosion sur le boîtier et autour de celui-ci, les pièces/quincaillerie lâches, les fissures et/ou de la décoloration sur l'isolant et les éléments endommagés ou décolorés.

Faites fonctionner le commutateur de transfert au moins une fois tous les trois mois tel qu'expliqué dans la section *Mise à l'essai du commutateur de transfert automatique*, à moins qu'une panne de courant ne survienne et que le groupe électrogène résidentiel n'ait effectué une séquence automatique. Laissez la génératrice fonctionner pendant au moins 30 minutes.

Communiquez avec un professionnel en électricité certifié pour l'inspection et le nettoyage de l'intérieur du boîtier et des autres composantes de votre système de génératrice résidentielle au moins une fois par année.

### Si vous téléphonez pour de l'aide

Ayez en main les numéros de modèle et de série inscrits sur l'étiquette d'identification de l'unité si vous devez communiquer avec un centre de service local pour l'entretien ou la réparation de cette unité. Vous pouvez obtenir des renseignements sur l'étiquette d'identification de l'unité se trouvant sur le boîtier ou à l'intérieur de celui-ci.

Pour communiquer avec Briggs & Stratton, veuillez appeler au 800-743-4115 de 8 h à 17 h HNC.

### Vérification installation

Avant de mettre en service le groupe électrogène, vérifiez minutieusement l'ensemble de l'installation.

Tout en procédant à la vérification, remplissez la liste de vérification de l'installation fourni avec votre générateur. Assurez-vous que tous les éléments sont cochés et que toutes les signatures ont été obtenues. Indiquez au propriétaire qu'il doit poster la copie blanche à:

Warranty Registration  
P. O. Box 239  
Jefferson, WI 53549

## Remarques

NOT  
FOR  
REPRODUCTION

## Dépannage

PROBLÈMES	CAUSE	SOLUTION
<b>Le commutateur de transfert automatique ne transfère pas à la génératrice</b>	<ol style="list-style-type: none"> <li>1. Le disjoncteur de la génératrice est ouvert.</li> <li>2. La tension de la génératrice n'est pas adéquate.</li> <li>3. Le disjoncteur d'interruption de la génératrice est ouvert sur le commutateur de transfert.</li> </ol>	<ol style="list-style-type: none"> <li>1. Réarmez le disjoncteur de la génératrice.</li> <li>2. Reportez-vous au manuel de la génératrice.</li> <li>3. Réinitialisez le disjoncteur d'interruption de la génératrice sur le commutateur de transfert.</li> </ol>
<b>Le commutateur de transfert automatique ne transfère pas à l'alimentation de service</b>	<ol style="list-style-type: none"> <li>1. Le disjoncteur d'interruption de l'alimentation de service est ouvert sur le commutateur de transfert.</li> <li>2. La tension de l'alimentation de service n'est pas adéquate.</li> </ol>	<ol style="list-style-type: none"> <li>1. Réinitialisez le disjoncteur d'interruption de l'alimentation de service sur le commutateur de transfert.</li> <li>2. Attendez que la tension de service revienne à la normale.</li> </ol>
<b>La génératrice continue de fonctionner après que le commutateur eut transféré à l'alimentation de service</b>	La période de refroidissement n'a pas été complétée.	Le moteur devrait s'éteindre après 1 minute.
<b>Les charges réglables (climatiseur, etc.) ne fonctionnent pas sous l'alimentation de service</b>	<ol style="list-style-type: none"> <li>1. Les contacts « A-A » ou « B-B » ne fonctionnent pas correctement.</li> <li>2. Charge trop élevée pour la génératrice.</li> <li>3. Transformateur de courant pas connecté.</li> <li>4. Transformateur de courant défectueux.</li> </ol>	<ol style="list-style-type: none"> <li>1. Vérifiez le fonctionnement des contacts « A-A » ou « B-B » et/ou le câblage de commande vers des charges externes.</li> <li>2. Diminuez la charge sollicitée de la génératrice.</li> <li>3. Communiquez avec un centre de service local.</li> <li>4. Communiquez avec un centre de service local.</li> </ol>
<b>La génératrice demeure en marche après le rétablissement de l'alimentation de service</b>	<ol style="list-style-type: none"> <li>1. La période de fonctionnement minimum du moteur ne s'est pas écoulée.</li> <li>2. Le ou les fusibles du commutateur de transfert sont défectueux.</li> </ol>	<ol style="list-style-type: none"> <li>1. Attendez cinq minutes pour que le commutateur de transfert transfère à l'alimentation de service.</li> <li>2. Vérifiez le ou les fusibles et remplacez-les au besoin.</li> </ol>



## Remarques

NOT  
FOR  
REPRODUCTION

Prise d'effet au 1<sup>er</sup> Novembre 2005, annule et remplace toutes les garanties précédentes et les garanties antérieures au 1<sup>er</sup> Novembre 2005

**GARANTIE LIMITÉE**

Briggs & Stratton Power Products Group, LLC réparera ou remplacera, sans frais, toutes pièces d'équipement défectueuses comportant un vice de matériau ou un défaut de fabrication ou les deux. En vertu de la présente garantie, les frais de transport des produit soumises pour réparation ou remplacement sont à la charge de l'acheteur. La présente garantie sera en vigueur durant les périodes stipulées ci-dessous et est assujettie aux conditions stipulées ci-dessous. Pour obtenir des services en vertu de la garantie, veuillez consulter notre Outil de recherche d'un Service après-vente agréé au <http://www.BRIGGSandSTRATTON.COM> afin de trouver un distributeur de service après-vente agréé dans votre région.

IL N'EXISTE AUCUNE AUTRE GARANTIE EXPRESSE. LES GARANTIES IMPLICITES, INCLUANT CELLES DE QUALITÉ MARCHANDE ET D'ADAPTATION À UN USAGE PARTICULIER, SONT LIMITÉES À UNE PÉRIODE D'UN AN À PARTIR DE LA DATE D'ACHAT OU JUSQU'À LA LIMITE PERMISE PAR LA LOI, TOUTE GARANTIE IMPLICITE EST EXCLUE. LA RESPONSABILITÉ POUR DOMMAGES ACCESSOIRES OU INDIRECTS EST EXCLUE DANS LA MESURE OÙ UNE TELLE EXCLUSION EST PERMISE PAR LA LOI. Certains États/provinces ou pays n'autorisent aucune restriction sur la durée d'une garantie implicite, et certains États/provinces ou pays n'autorisent pas l'exclusion ou la limitation des dommages consécutifs ou indirects. Par conséquent, les restrictions et exclusions décrites ci-dessus pourraient ne pas s'appliquer dans votre cas. La présente garantie vous accorde certains droits légaux spécifiques et vous pourriez également en avoir d'autres, qui peuvent varier d'un État ou d'une province à l'autre et d'un pays à l'autre.

**PÉRIODE DE GARANTIE**

Usage par un consommateur	3 ans
Usage à des fins commerciales	aucune

La période de garantie débute à la date d'achat par le premier acheteur au détail ou par le premier utilisateur commercial final, et se prolonge pour la durée stipulée dans le tableau ci-dessus. "Usage par un consommateur" signifie utilisation domestique personnelle dans une résidence, par l'acheteur au détail. "Usage à des fins commerciales" signifie toute autre utilisation, y compris à des fins commerciales, générant de revenus ou de location. Aux fins de la présente garantie, dès qu'un équipement a été utilisé commercialement une fois, il est par la suite considéré comme étant d'usage à des fins commerciales. L'équipement utilisé pour l'alimentation principale n'est pas couvert par la présente garantie.

POUR EXERCER LA GARANTIE SUR TOUT PRODUIT FABRIQUÉ PAR BRIGGS & STRATTON, IL N'EST PAS NÉCESSAIRE DE L'ENREGISTRER. CONSERVEZ LE REÇU COMME PREUVE D'ACHAT. SI, LORS D'UNE RÉCLAMATION DE GARANTIE, VOUS NE POUVEZ PROUVER LA DATE INITIALE DE L'ACHAT, NOUS UTILISERONS LA DATE DE FABRICATION DU PRODUIT COMME DATE DE RÉFÉRENCE POUR DÉTERMINER LA PÉRIODE DE GARANTIE.

**À PROPOS DE LA ÉQUPEMENT GARANTIE**

Nous acceptons de faire effectuer les réparations couvertes par la garantie et tenons à nous excuser pour tout inconvéniént subi. Tout agent d'un service après-vente agréé peut exécuter les réparations couvertes par la garantie. La plupart des réparations couvertes par la garantie sont traitées automatiquement; cependant, il arrive parfois que les demandes de service en vertu de la garantie soient non fondées. Par exemple, la garantie ne couvre pas les dommages causés à l'équipement par une utilisation abusive, par un manque d'entretien périodique, durant l'expédition, la manutention ou l'entreposage, ou en raison d'une installation inadéquate. De même, la garantie sera annulée si la date de fabrication ou le numéro de série apposé à l'équipement a été enlevé ou si l'équipement a été changé ou modifié. Durant la période de garantie, le distributeur de service après-vente agréé réparera ou remplacera, à son gré, toute pièce qui, après examen, est trouvée défectueuse à la suite d'une utilisation et d'un entretien normaux. La présente garantie ne couvre pas les réparations et les équipements suivants:

- **Usure normale:** Comme tout autre dispositif mécanique, les groupes électrogènes d'extérieur nécessitent l'entretien périodiques de certaines pièces pour fonctionner adéquatement. La présente garantie ne couvre pas les frais de réparation des pièces ou des équipements dont la durée de vie utile a été dépassée à la suite d'une utilisation normale.
- **Installation et entretien:** La présente garantie ne couvre pas les équipements ou les pièces qui ont fait l'objet d'une installation ou de modifications et de changements inadéquats ou non autorisés, d'une mauvaise utilisation, de négligence, d'un accident, d'une surcharge, d'entretien inadéquat, de réparation ou d'entreposage qui, selon nous, auraient nui à la performance et à la fiabilité du produit. De plus, la garantie ne couvre pas l'entretien normal tel que le réglage, le nettoyage et remplacement de fusible.
- **Exclusions supplémentaires:** La présente garantie exclut les pièces qui s'usent ou tout dommage ou tout mauvais fonctionnement résultant d'un accident, d'une utilisation abusive, de modifications, de changements ou d'un entretien inadéquat du système. La garantie du produit ne couvre pas les pièces accessoires. Cette garantie exclut toute défaillance due à une catastrophe naturelle ou à toute autre force majeure hors du contrôle du fabricant. Est aussi exclu tout équipement usé, remis à neuf ou de démonstration. 198180F, Rev. C, 12/31/2006

BRIGGS & STRATTON POWER PRODUCTS GROUP, LLC  
JEFFERSON, WI, USA

# Commutateur de transfert automatique

## Caractéristiques du produit

### Modèle 071036

Charge nominale maximum  
à 25°C (77°F)\* ..... 200 Ampères  
Tension nominale C.A. .... 250 Volts  
Pôles ..... 2  
Fréquence ..... 60 Hz  
Intensité de défaillance  
nominale ..... 25,000 Ampères Symétriques RMS  
Valeur nominale des  
contacts de contrôle A-A ..... 24 Volt c.a.  
contacts de contrôle B-B ..... 1 ampère, 125 Volt c.a.  
régime de fonctionnement asservi  
Plage d'utilisation normale.. -28.8°C (-20°F) to 40°C (104°F)  
Poids.....28 kg (63 lb)

### Modèle 071045

Charge nominale maximum  
à 25°C (77°F)\* ..... 100 Ampères  
Tension nominale C.A. .... 250 Volts  
Pôles ..... 2  
Fréquence ..... 60 Hz  
Intensité de défaillance  
nominale ..... 25,000 Ampères Symétriques RMS  
Valeur nominale des  
contacts de contrôle A-A ..... 24 Volt c.a.  
contacts de contrôle B-B ..... 1 ampère, 125 Volt c.a.  
régime de fonctionnement asservi  
Plage d'utilisation normale.. -28.8°C (-20°F) to 40°C (104°F)  
Poids.....27 kg (59 lb)

NOT FOR REPRODUCTION

\*Ce commutateur de transfert est certifié être conforme à la norme 1008 (équipement de commutation de transfert) de UL (Underwriters Laboratories).

**Briggs & Stratton Power Products Group, LLC**  
900 N. Parkway  
Jefferson, Wisconsin, 53549 U.S.A.

Français  
**fr**

NOT  
FOR  
REPRODUCTION

