



25kW¹ STANDBY GENERATOR



BRIGGS & STRATTON® THE SMART CHOICE

For the discerning homeowner that is looking for the smartest, most reliable permanent backup power solution.



Easy to Service

- Convenient access to maintenance and disassembly points for quicker trouble-free servicing.
- Easier to open gas spring roof keeps the hood in place while making repairs
- Direct access to engine, alternator and fuel system

Quality Clean Power

- Ensures your electronics are safely powered

Liquid-Cooled Briggs & Stratton Engine

- Delivers the dependability homeowners expect from their generator
- Tailored to standby generator applications with hardened seats and valves.
- Easy conversion between natural gas (NG) and liquid propane gas (LP) during installation

Symphony® II Power Management System

- Customizable to your home's needs
- Automatically balances the power of your home's electrical load including high wattage items like air conditioning units and electric ovens
- Offers whole house power with a more affordable home generator

Corrosion Resistant Enclosure & Base

- Made with automotive grade galvalume steel to resist rust
- Powder-coated paint for years of protection against chips and abrasions



GENERATOR SET RATINGS

MODEL	VOLTAGE	POWER FACTOR	PHASE	HZ	BREAKER	LIQUID PROPANE GAS		NATURAL GAS		LIMITED WARRANTY ²
						LP kW	LP AMPS	NG kW	NG AMPS	PARTS, LABOR, TRAVEL
Briggs & Stratton 076180	120/240	1	1	60	125	25	104	25	104	5 Year

¹ This generator is rated in accordance with UL (Underwriters Laboratories) 2200 (stationary engine generator assemblies) and CSA (Canadian Standards Association) standard C22.2 No. 100-04 (motors and generators).

² Warranty details available at www.briggsandstratton.com



ENGINE SPECIFICATIONS

ENGINE	
Engine Model	Briggs & Stratton®
Engine Model Type Trim Number	BS481Q49
Engine Speed (RPM)	3600
Engine Fuel	Liquid Propane (LP) or Natural Gas (NG)
Engine Cylinder Configuration	Inline
Number of Cylinders	4
Displacement (cu.in/cc)	97 / 1587
Bore & Stroke	3.19 & 3.03 in / 81 & 77 mm
Compression Ratio	9.5:1
Governor Type	Electronic
Frequency Regulation	+/- .25%
Valves	OHV with Hardened Seats
Ignition System	Electronic
Starter Motor Rating Voltage	12 Volt
Battery	12 Volt

LUBRICATION	
Oil Capacity (oz)	128
Lubrication System	Full Pressure
Recommended Oil	5W30 Full Synthetic
Low Oil Pressure Sensor	Yes

ALTERNATOR SPECS	
Type	Brushless, Rotating
Voltage Regulator	Automatic
Insulation	Class H

CONTROLLER FEATURES	
Hour Meter	Yes
LED Digital Display	Yes
Fault Code Display	Yes
Weekly Exerciser	Yes

OPERATIONS

	FUEL CONSUMPTION ¹			
	50% Load		100% Load	
Liquid Propane	105 ft ³ / hr	2.9 gal / hr	155 ft ³ / hr	4.3 gal / hr
Natural Gas	252 ft ³ / hr	—	368 ft ³ / hr	—

SOUND RATING AT 7 METERS PER ISO 3744
66 dBA

Lowest measurement of 12 microphones around generator. Sound level measurement at other locations around generator may be different depending upon installation configuration.

¹ Fuel consumption rates are estimated based on normal operating conditions. Generator operation may be greatly affected by elevation and the cycling operation of multiple electrical appliances – fuel flow rates may vary depending on these factors.



ADDITIONAL INFORMATION

OTHER FEATURES

Enclosure Material	Galvanneal Steel with Corrosion Resistant Paint
Overcrank Protection	Yes
Engine Warm Up (sec)	20 or 50 Automatic Transfer Switch Controlled
Engine Cool Down (min)	1
Response Time (sec)	26 or 56 Automatic Transfer Switch Controlled
Monitoring	Basic Wireless Monitor InfoHub™ Monitor
Continuous Battery Charging	Yes

WEIGHT AND DIMENSIONS

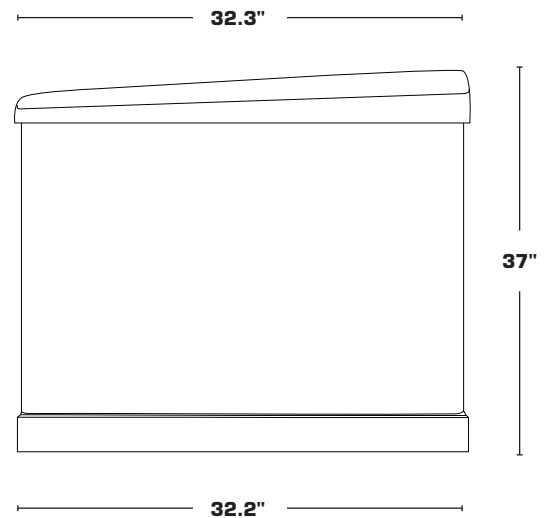
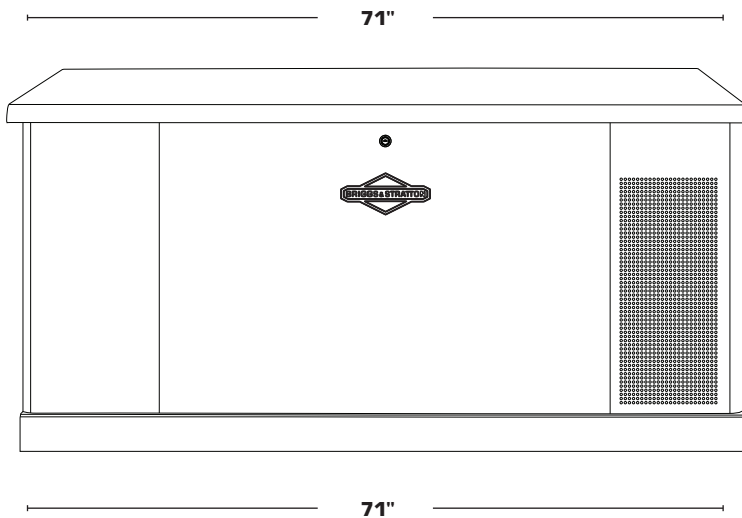
Assembled Weight (lbs)	1086
Overall Dimensions (in)	71 x 32.2 x 37
Packaged Weight (lbs)	1063
Packaged Dimensions (in)	75.2 x 36 x 43.7

CERTIFICATION

CARB Compliant	Yes
NFPA Approved	Yes
cUL Listed to CSA 22.2 NO 100-04	Yes
NEMA Compliant	Yes
EPA Certified Fuel System	Yes

AVAILABLE ACCESSORIES

Maintenance Kit	6268
Cold Weather Kit	6270
Basic Wireless Monitor	6229
InfoHub	6260
Remote Status Monitor	6144





FUEL PIPE SIZE RECOMMENDATION CHART (CAPACITY IN THOUSANDS OF BTU/HOUR)

Natural Gas/Inlet Pressure less than 2 PSI/ Pressure drop .05" w.c./ Specific Gravity 0.60

	1/2" pipe capacity	3/4" pipe capacity	1" pipe capacity	1-1/4" pipe capacity	1-1/2" pipe capacity	2" pipe capacity
20' Length*	118	247	466	957	1,430	2,760
40' Length*	81	170	320	657	985	1,900
60' Length*	65	137	257	528	791	1,520
80' Length*	56	117	220	452	677	1,300
100' Length*	50	104	195	400	600	1,160

Propane, Pipe/Tubing, Second, Single or Integral Twin Stage Pipe Sizing 11" Water Column Inlet with a 1/2" Water Column Drop Maximum Capacity of Pipe or Tubing

	1/2" pipe capacity	3/4" pipe capacity	1" pipe capacity	1-1/4" pipe capacity	1-1/2" pipe capacity	2" pipe capacity
20' Length*	200	418	788	1,617	2,423	4,666
40' Length*	137	287	541	1,111	1,665	3,207
60' Length*	110	231	435	892	1,337	2,575
80' Length*	94	198	372	764	1,144	2,204
100' Length*	84	175	330	677	1,014	1,954

*Total length of piping from outlet of regulator to appliance furthest away.

ADDITIONAL INFORMATION

TRANSFER SWITCH SPECIFICATIONS

Symphony® II	200 AMP	Model # 071068
Symphony® II Dual 200 Amp	2x200/400	Model # 071057
Voltage Rating	120/240	
Number of Protected Circuits	Whole House	
UL Approved	Yes	
NEMA 3R Rated	Yes	

SUPPORT EVERY STEP OF THE WAY

NEED HELP? Just call 800-759-2744

Our technical support team is trained to answer questions on our generators, transfer switches and accessories.

**CALL TODAY FOR A FREE IN-HOME ESTIMATE!
800-743-4115**

Disclaimer: Not for Prime Power or use where standby systems are legally required, for serious life safety or health hazards, or where lack of power hampers rescue of fire-fighting operations.

BRIGGS & STRATTON

POWER PRODUCTS GROUP, LLC
POST OFFICE BOX 702
MILWAUKEE, WI 53201 USA
Copyright ©2016. All rights reserved. BS1007-E – 5/16